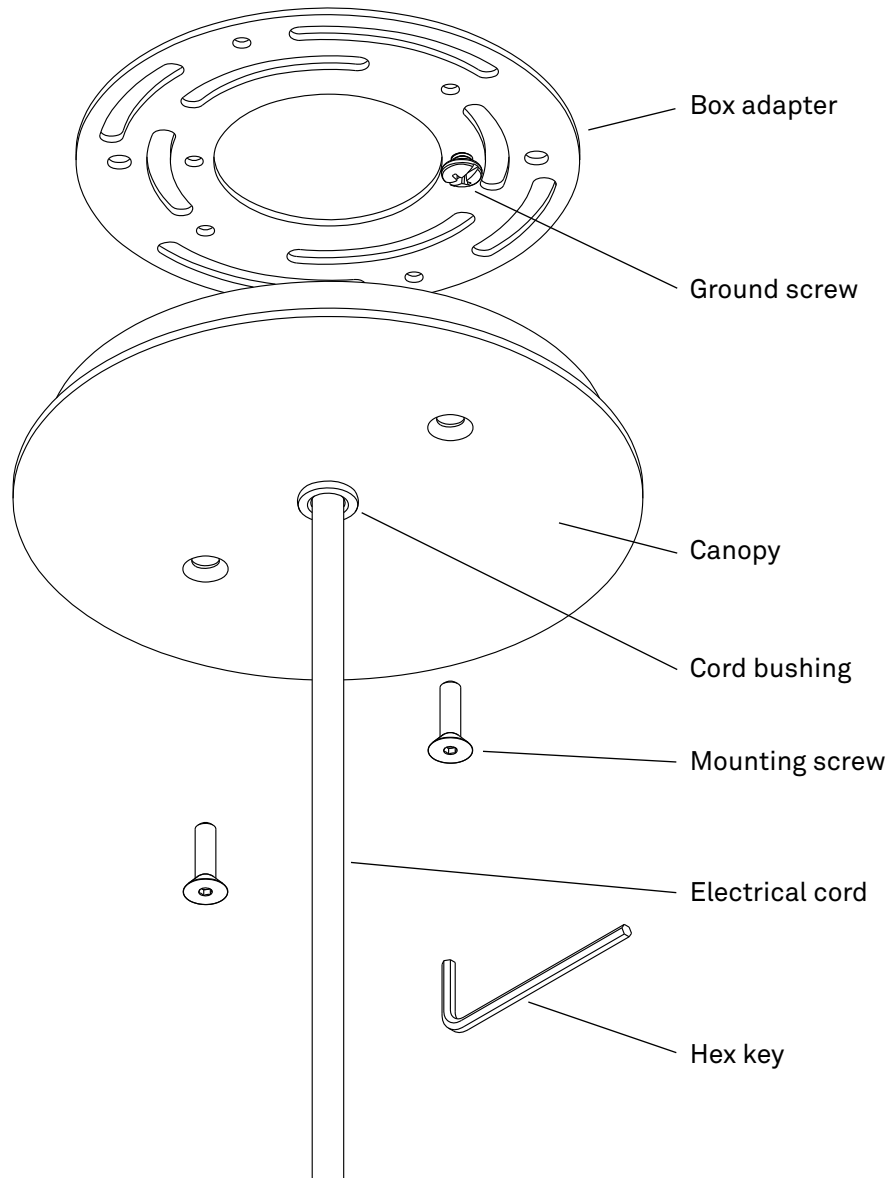


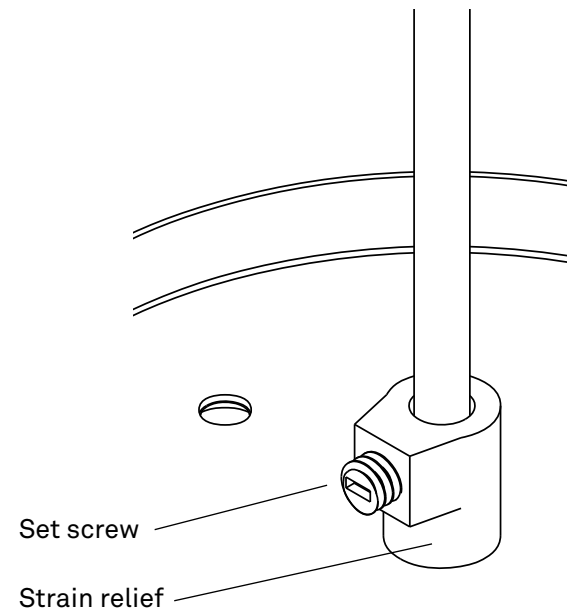
ASSEMBLY INSTRUCTIONS

STANDARD PENDANT



DANGER - RISK OF SHOCK - DISCONNECT POWER BEFORE INSTALLATION

1. Determine drop length. Measure, trim and strip electrical cord to the appropriate length.
2. Attach box adapter to the junction box.
3. Feed cord through cord bushing and strain relief (with set screw backed out for clearance) in canopy assembly.
4. Make electrical connections per wiring diagram.
5. Tighten set screw in the strain relief to secure electrical cord when desired drop length has been achieved.
6. Affix canopy to the junction box/box adapter assembly with the two mounting screws provided.



RESOLUTE

RESOLUTE is a registered trademark of MANIFESTO Corporation
4660 Ohio Avenue South, Unit C, Seattle WA 98134
www.resoluteonline.com info@resoluteusa.com

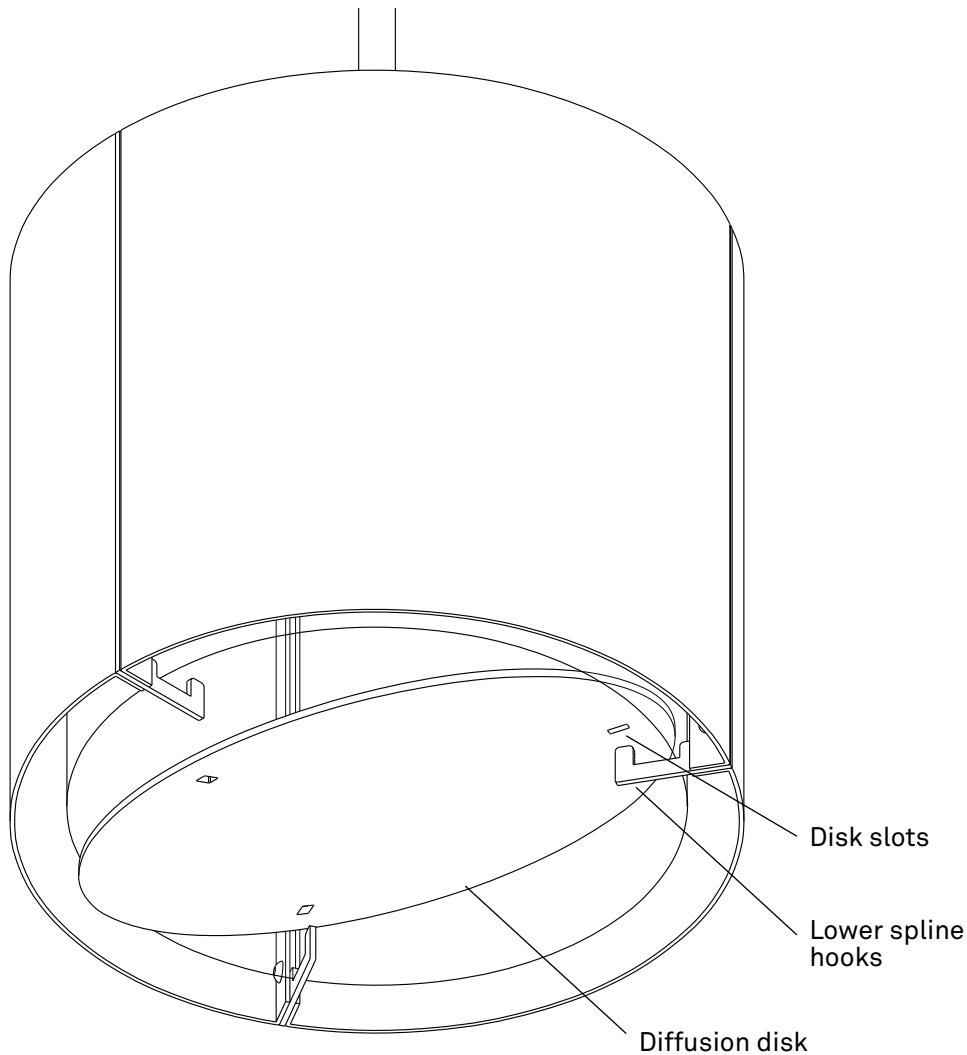



ASSEMBLY INSTRUCTIONS

SMITH PENDANT / DROP

Installing bottom diffusion disk

1. Raise the diffusion disk up into the shade at an angle up and over two of the three lower spline hooks.
2. Raise the diffusion disk inside shade so as to clear the third lower spline hook.
3. Lay diffusion disk flat and insert hooks into slots in diffusion disk.



 LAMP CONTAINS MERCURY
Manage in accordance with disposal laws
www.lamprecycle.org or 1-866-666-6850

RESOLUTE

RESOLUTE is a registered trademark of MANIFESTO Corporation
4660 Ohio Avenue South, Unit C, Seattle WA 98134
www.resoluteonline.com info@resoluteusa.com



