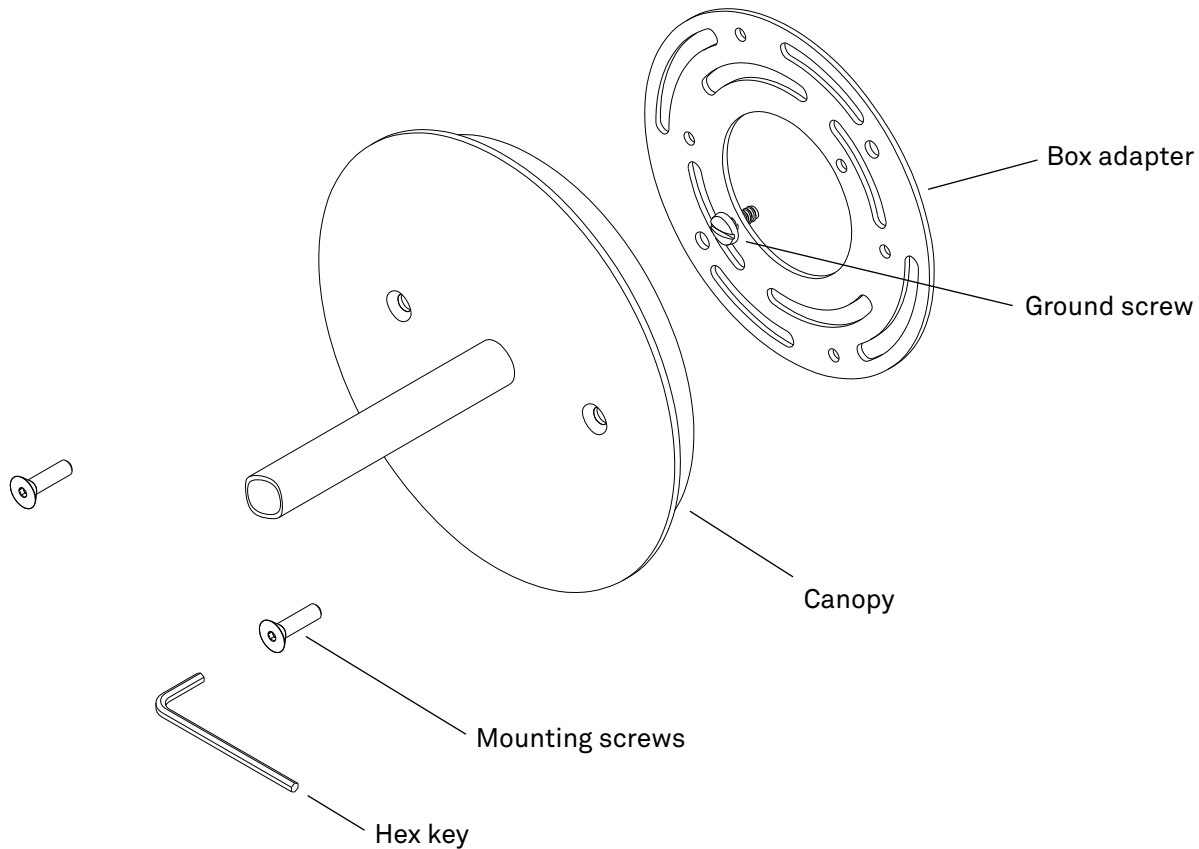


# ASSEMBLY INSTRUCTIONS

## SIMPLE WALL

**DANGER - RISK OF SHOCK - DISCONNECT POWER BEFORE INSTALLATION**

1. Attach box adapter to the junction box.
2. Make electrical connections per wiring diagram.
3. Affix canopy assembly to the box adapter/junction box assembly with the provided mounting screws.



# RESOLUTE

RESOLUTE is a registered trademark of MANIFESTO Corporation  
4660 Ohio Avenue South, Unit C, Seattle WA 98134  
[www.resoluteonline.com](http://www.resoluteonline.com) [info@resoluteusa.com](mailto:info@resoluteusa.com)

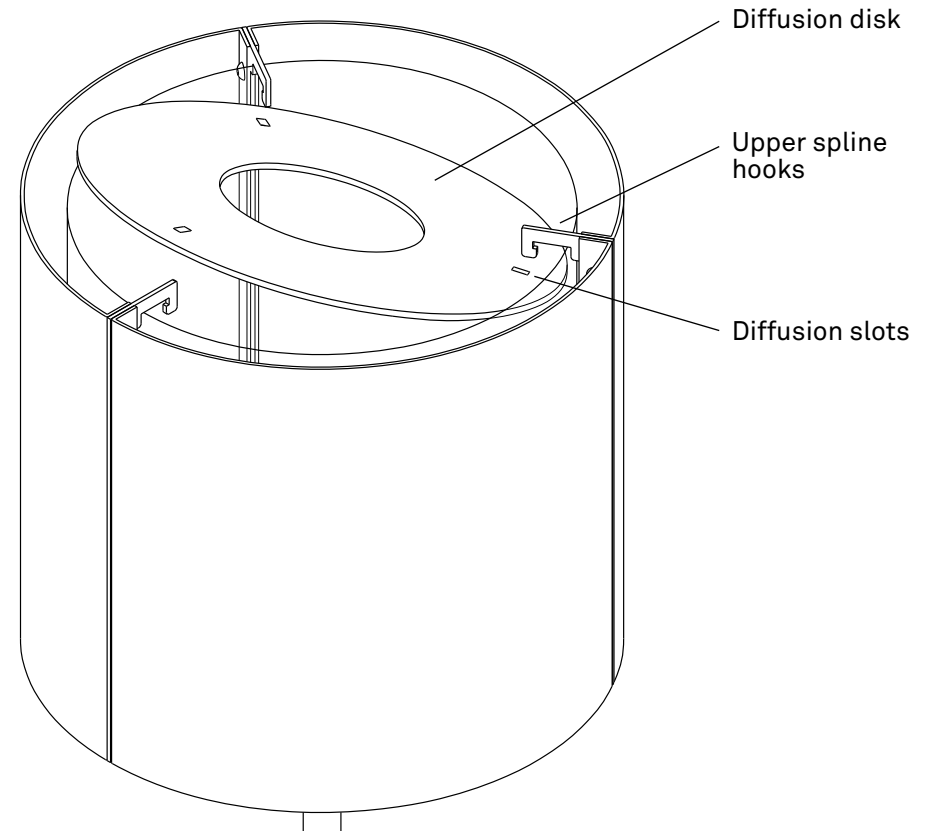
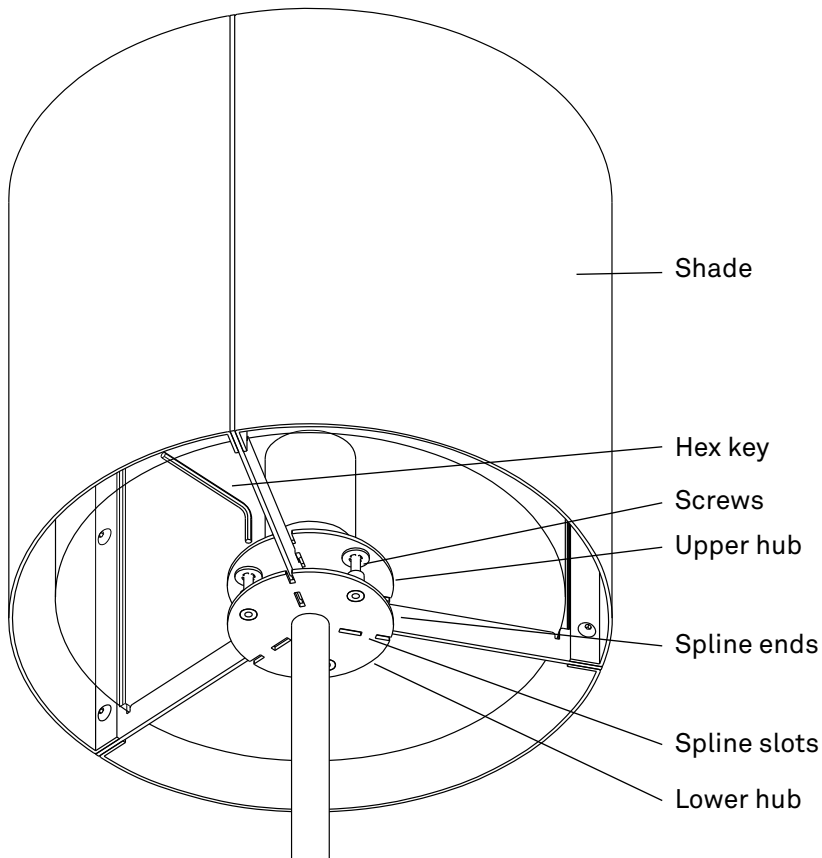


# ASSEMBLY INSTRUCTIONS

## SMITH WALL

### Shade assembly

1. Partially back out all three hub screws with hex key.
2. Align and insert spline ends into spline slots in upper and lower hubs.
3. While pressing hubs together, re-tighten screws with hex key.
4. Install diffusion disk by positioning under upper spline hooks.  
Lock in place by inserting hooks into slots and sliding outward.



 LAMP CONTAINS MERCURY

Manage in accordance with disposal laws

[www.lamprecycle.org](http://www.lamprecycle.org) or 1-866-666-6850

# RESOLUTE

RESOLUTE is a registered trademark of MANIFESTO Corporation  
4660 Ohio Avenue South, Unit C, Seattle WA 98134  
[www.resoluteonline.com](http://www.resoluteonline.com) [info@resoluteusa.com](mailto:info@resoluteusa.com)



