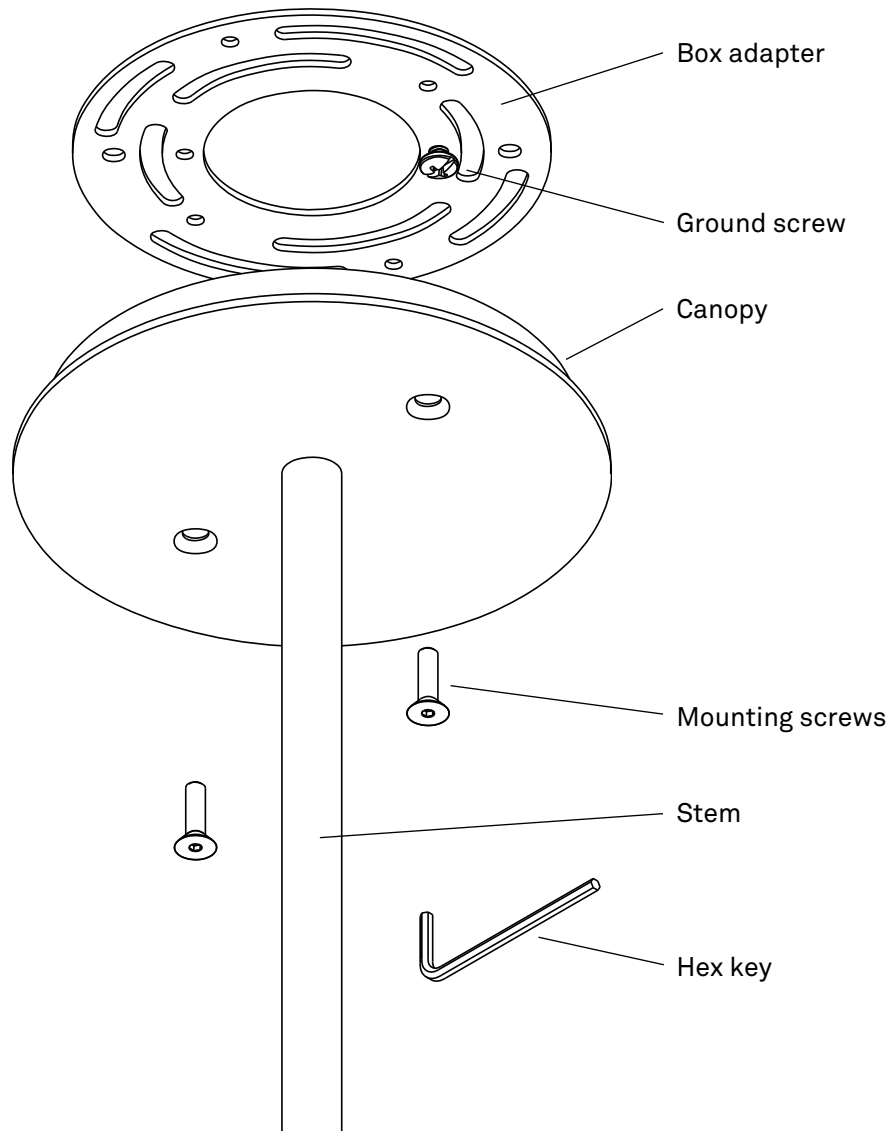


ASSEMBLY INSTRUCTIONS

CEILING

Make certain power is off before you begin.

1. Attach box adapter to the junction box.
2. Make electrical connections per wiring diagram.
3. Attach box strap to the junction box.
4. Affix canopy to the junction box/box adapter assembly with the two mounting screws provided.



RESOLUTE

RESOLUTE is a registered trademark of
MANIFESTO Corporation, Seattle WA
www.resoluteonline.com info@resoluteusa.com

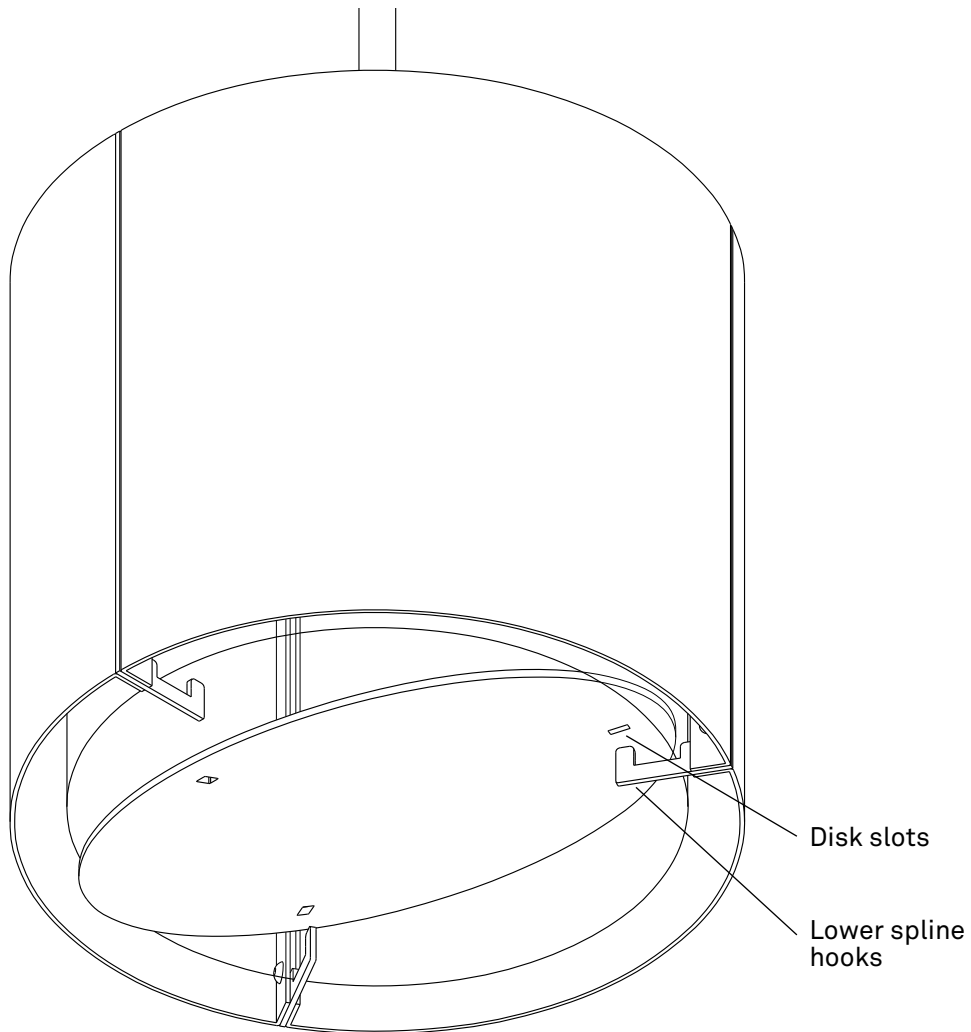


ASSEMBLY INSTRUCTIONS

SMITH PENDANT / CEILING

Installing bottom diffusion disk

1. Raise the diffuser disk up into the shade at an angle up and over two of the three lower spline hooks.
2. Raise the diffusion disk inside shade so as to clear the third lower spline hook.
3. Lay diffusion disk flat and insert hooks into slots in diffusion disk.



RESOLUTE

RESOLUTE is a registered trademark of
MANIFESTO Corporation, Seattle WA
www.resoluteonline.com info@resoluteusa.com



