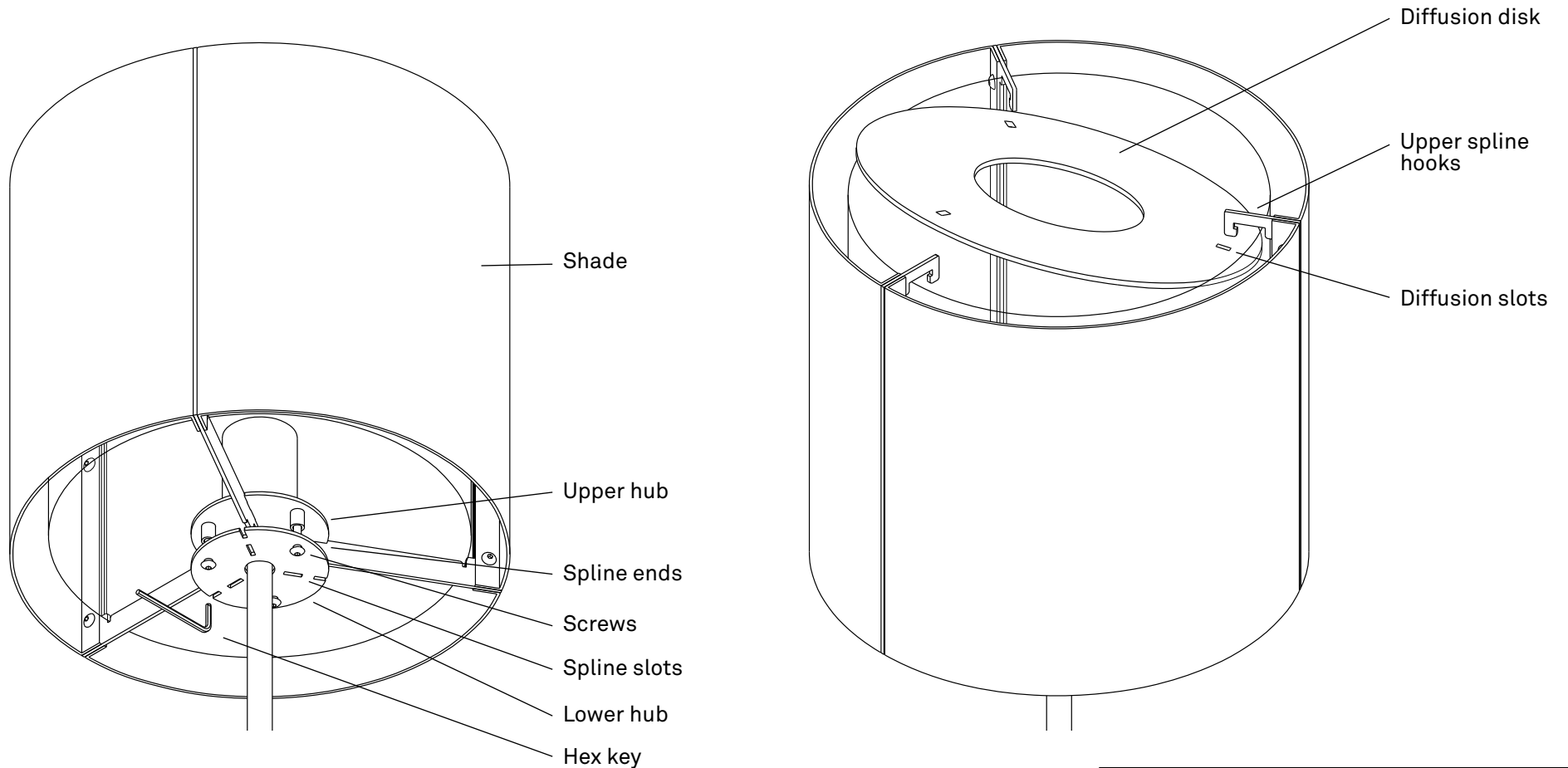



ASSEMBLY INSTRUCTIONS

SMITH TABLE

Shade assembly

1. Partially back out all three hub screws with hex key.
2. Align and insert spline ends into spline slots in upper and lower hubs.
3. While pressing hubs together, re-tighten screws with hex key.
4. Install diffusion disk by positioning under upper spline hooks.
Lock in place by inserting hooks into slots and sliding outward.



 LAMP CONTAINS MERCURY
Manage in accordance with disposal laws
www.lamprecycle.org or 1-866-666-6850

RESOLUTE

RESOLUTE is a registered trademark of MANIFESTO Corporation
4660 Ohio Avenue South, Unit C, Seattle WA 98134
www.resoluteonline.com info@resoluteusa.com

