

ASSEMBLY INSTRUCTIONS

SMITH FLOOR

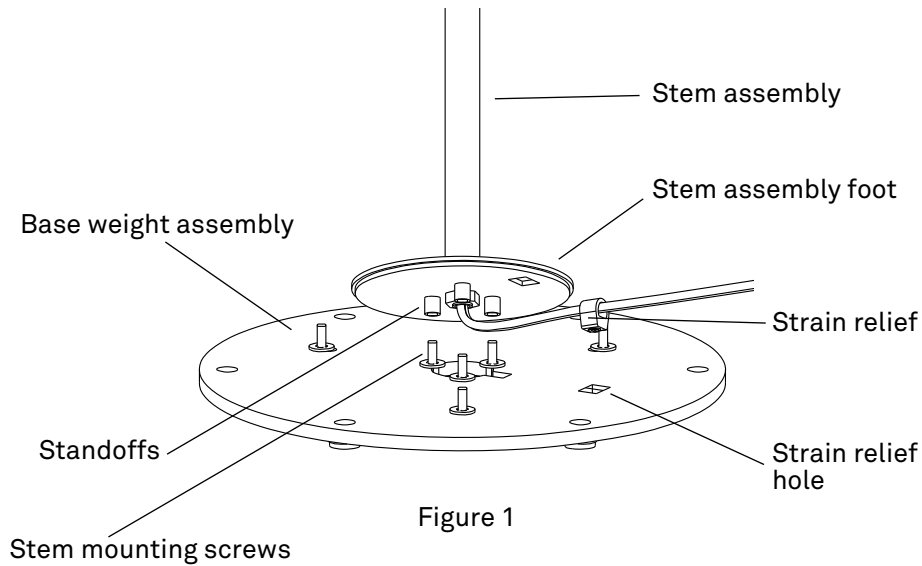


Figure 1

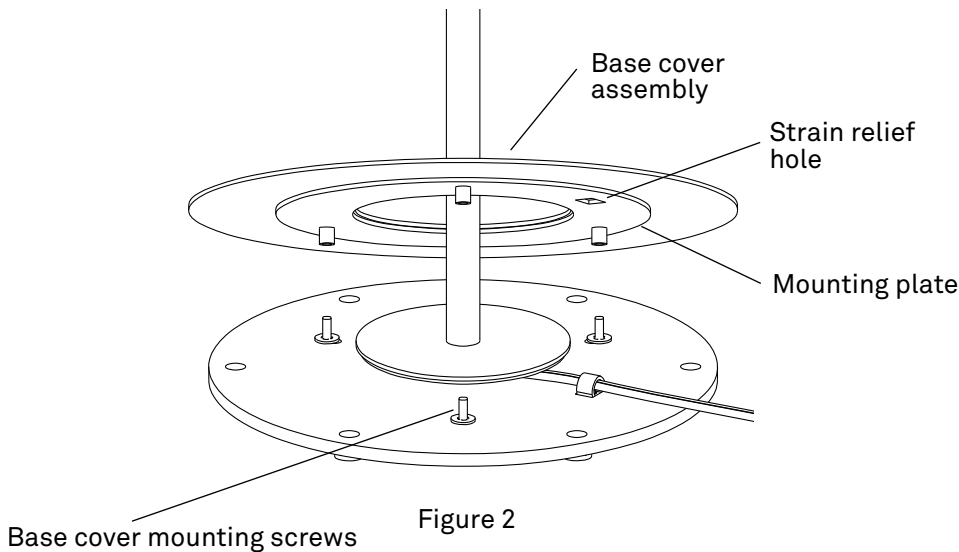


Figure 2

Base assembly

1. Remove the base cover assembly from the base weight assembly by loosening the three base cover mounting screws.
2. Align the three stem mounting screws in the base weight assembly with the three standoffs in the foot of the stem assembly. Be sure the power cord exits between the two mounting screws so the longest part of the strain relief fits into the hole in the base weight and stem assembly foot (figure 1).
3. Gently lay the assembly on a flat surface, holding the base weight against the base of the stem assembly. Tighten the three center mounting screws into the three standoffs (figure 3).
4. Lower the base cover plate assembly over the stem/base weight assembly. Align the square hole in the mounting plate of the base cover plate assembly with the strain relief in the square hole in the base weight, and align the three mounting screws with the three standoffs in this assembly (figure 2).
5. Gently lay the entire assembly on a flat surface, preferably a table-top, so the base assembly hangs over the edge of the table. It is important the edge of the cover disk does not bear the weight of the entire fixture. With one hand holding the assembly together, tighten the three outside mounting screws (figure 3).

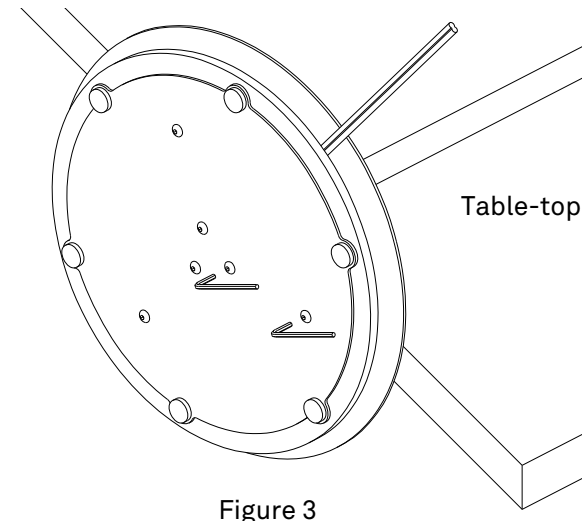


Figure 3

RESOLUTE

RESOLUTE is a registered trademark of
MANIFESTO Corporation, Seattle WA
www.resoluteonline.com info@resoluteusa.com

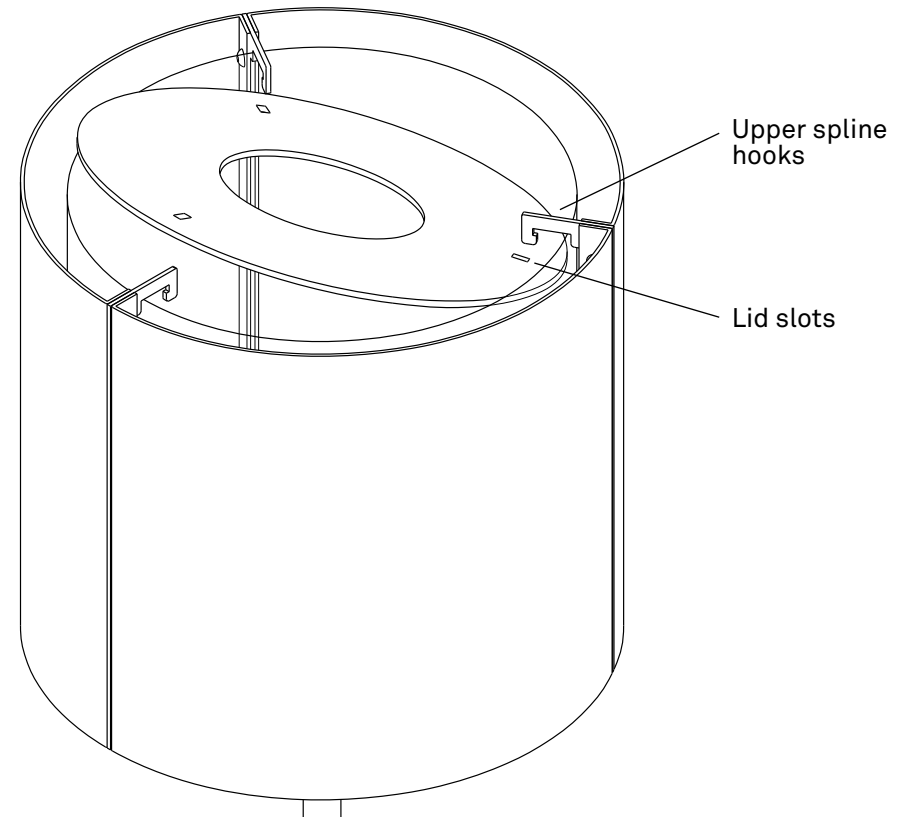
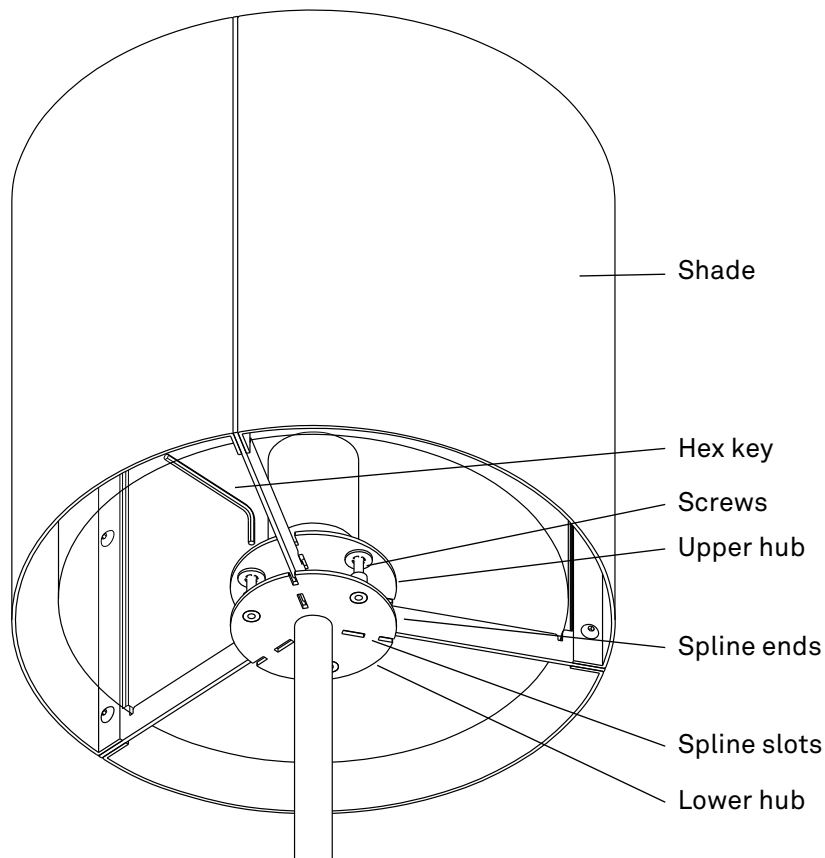


ASSEMBLY INSTRUCTIONS

SMITH FLOOR / WALL

Shade assembly

1. Partially back out all three hub screws with hex key.
2. Align and insert spline ends into spline slots in upper and lower hubs.
3. While pressing hubs together, re-tighten screws with hex key.
4. Install top lid by positioning under upper spline hooks. Lock in place by inserting hooks into slots and sliding outward.



RESOLUTE

RESOLUTE is a registered trademark of
MANIFESTO Corporation, Seattle WA
www.resoluteonline.com info@resoluteusa.com

