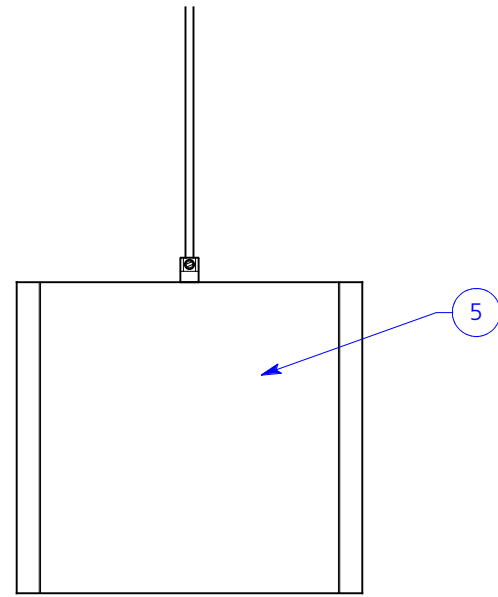
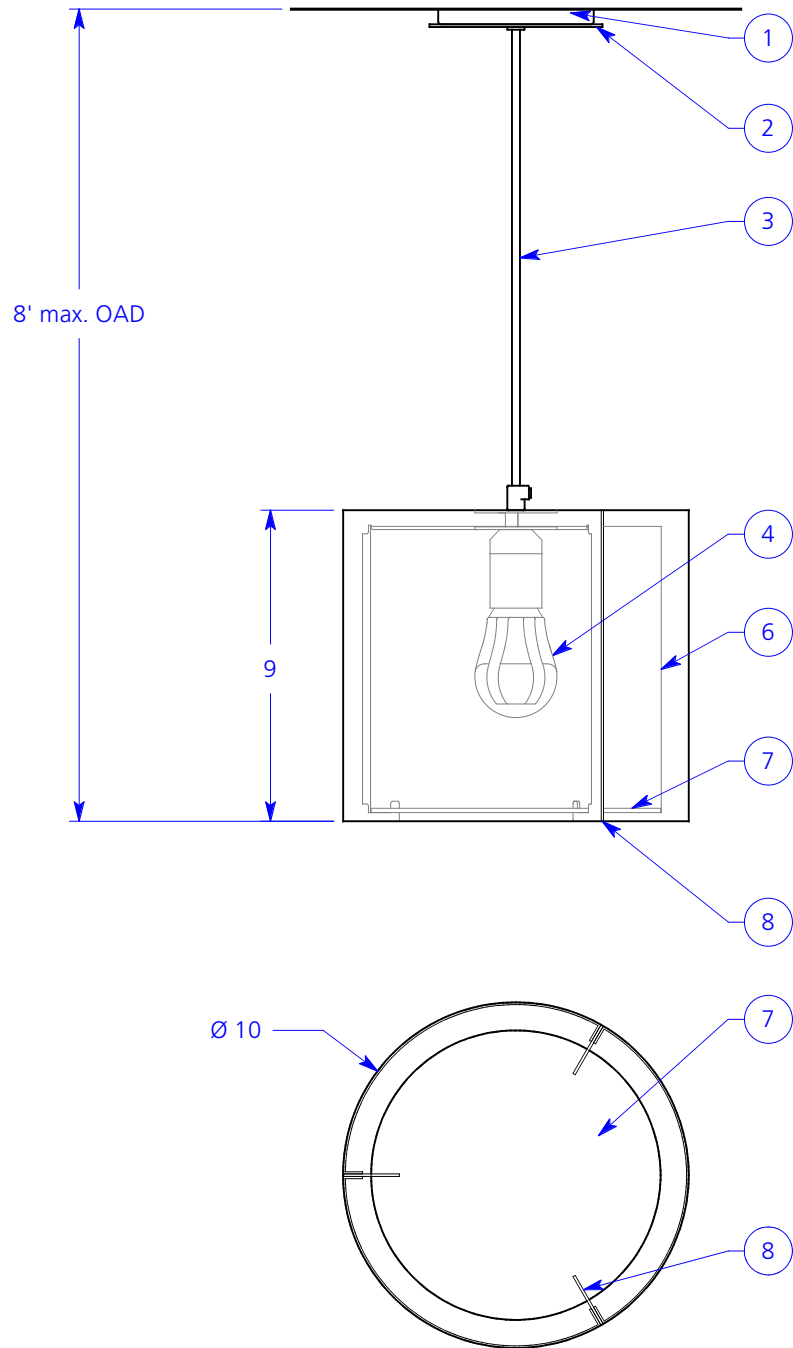


ALL DIMENSIONS IN INCHES



**NOTES:**

1. Ø 4.5" powder coated steel canopy
2. Ø 5" faceplate
3. Black electrical cord (field cut to length)
4. Lamp (NIC)
5. Carnegie Xorel fabric backed with high-impact copolymer sheet
6. Frosted high-impact copolymer inner diffuser
7. Opal white translucent bottom diffusion disk
8. Powder coated steel spline



Type:  Quantity:

Approval signature:

Name:

Firm:

Date:

**Smith 10-9 Pendant**

**Configurations:**

- 51009M - 14W UltraLED**  
E26 medium base lamp (NIC)
- 51009G - 13~27W CFL**  
GU24 base lamp (NIC)

**Finish options:**

- Silver** - Satin clear anodized aluminum faceplate, dull silver powder coated canopy and splines, stainless steel fixture mounting fasteners
- Bronze** - "Bronze" powder coated canopy, faceplate and splines, black fixture mounting fasteners

**Xorel fabric selection:**

2.20.2015

**RESOLUTE**

4617 Colorado Ave. S, Unit A  
Seattle, WA 98134  
T 206.343.9323  
F 888.346.8079  
info@resoluteusa.com