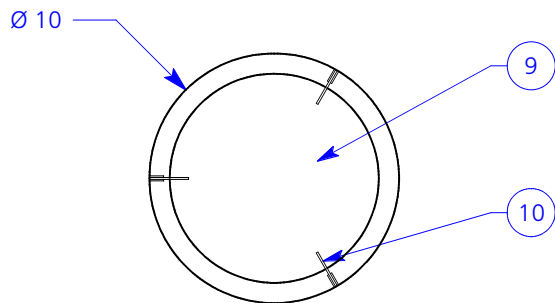
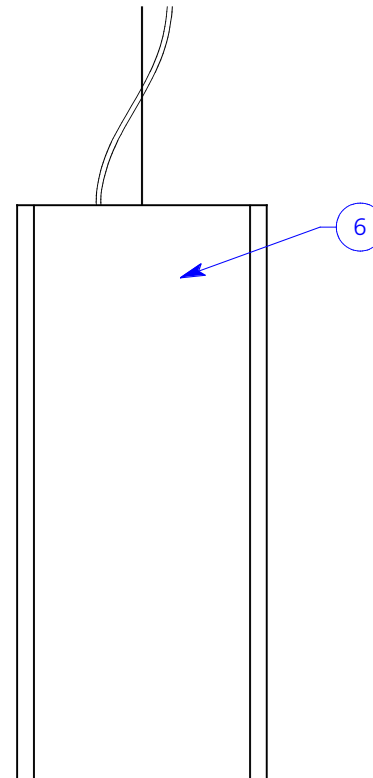
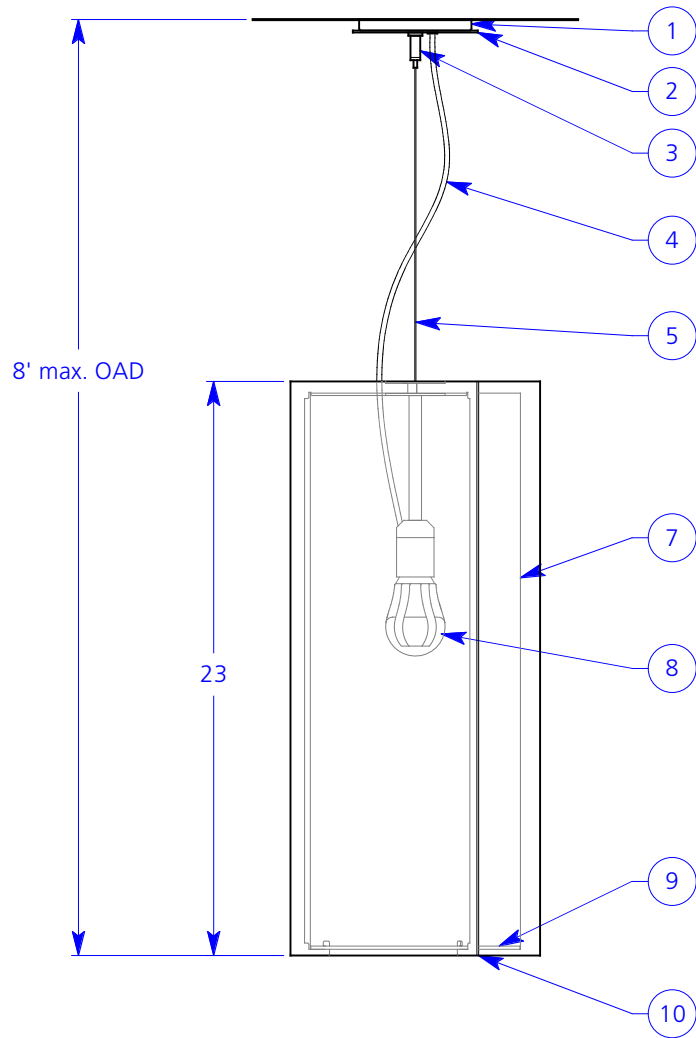


ALL DIMENSIONS IN INCHES



NOTES:

1. Ø 4.5" powder coated steel canopy
2. Ø 5" faceplate
3. Nickel plated clutch cable grip
4. Clear/silver electrical cord (field cut to length)
5. Stainless steel aircraft cable (field cut to length)
6. Carnegie Xorel fabric backed with high-impact copolymer sheet
7. Frosted high-impact copolymer inner diffuser
8. Lamp (NIC)
9. Opal white translucent bottom diffusion disk
10. Powder coated steel spline



Type: Quantity:

Approval signature:

Name:

Firm:

Date:

Smith 10-23 Pendant

Configurations:

- 510123M - 14W UltraLED**
E26 medium base lamp (NIC)
- 510123G - 13~27W CFL**
GU24 base lamp (NIC)

Finish options:

- Silver** - Satin clear anodized aluminum faceplate, dull silver powder coated canopy and splines, stainless steel fixture mounting fasteners
- Bronze** - "Bronze" powder coated canopy, faceplate and splines, black fixture mounting fasteners

Xorel fabric selection:

2.20.2015

RESOLUTE

4617 Colorado Ave. S, Unit A
Seattle, WA 98134
T 206.343.9323
F 888.346.8079
info@resoluteusa.com