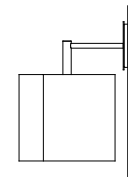
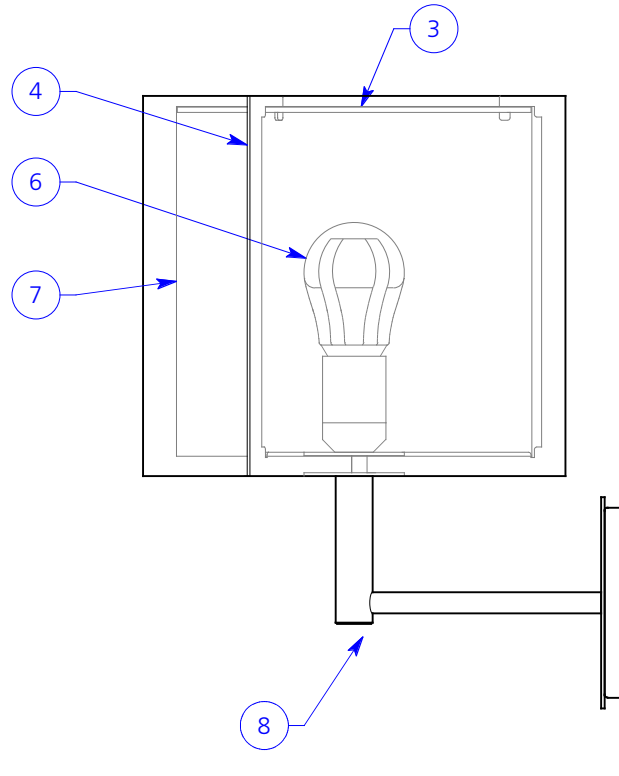
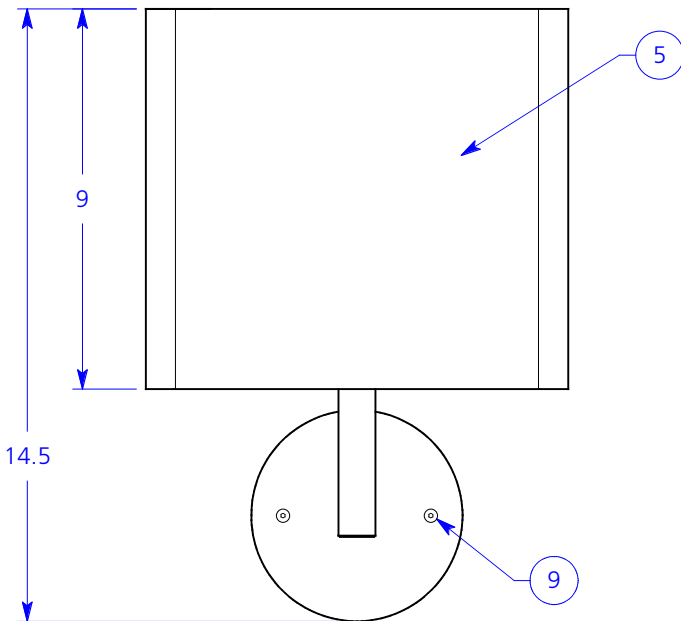
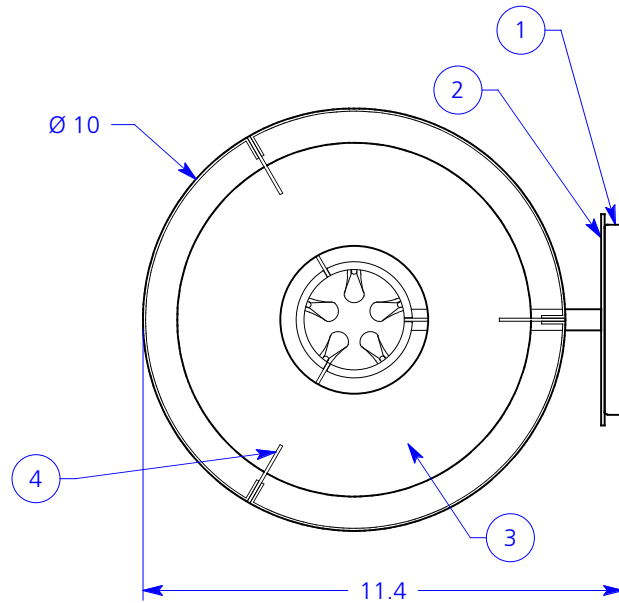


ALL DIMENSIONS IN INCHES

**NOTES:**

1. Ø 4.5" powder coated steel canopy
2. Ø 5" faceplate
3. Opal white translucent diffusion disk with center hole
4. Powder coated steel spline
5. Carnegie Xorel fabric backed with high-impact copolymer sheet
6. Lamp (NIC)
7. Frosted high-impact copolymer inner diffuser
8. Metal armature
9. Fixture mounting fasteners



Type:  Quantity:

Approval signature:

Name:

Firm:

Date:

**Smith 10-9 Wall**

**Configurations:**

- 51029M - 14W UltraLED**  
E26 medium base lamp (NIC)
- 51029G - 13~27W CFL**  
GU24 base lamp (NIC)

**Finish options:**

- Silver** - Satin clear anodized aluminum faceplate and armature, dull silver powder coated canopy and splines, stainless steel fixture mounting fasteners
- Bronze** - "Bronze" powder coated canopy, faceplate, armature and splines, black fixture mounting fasteners

**Xorel fabric selection:**

2.20.2015

**RESOLUTE**  
 4617 Colorado Ave. S, Unit A  
 Seattle, WA 98134  
 T 206.343.9323  
 F 888.346.8079  
 info@resoluteusa.com

