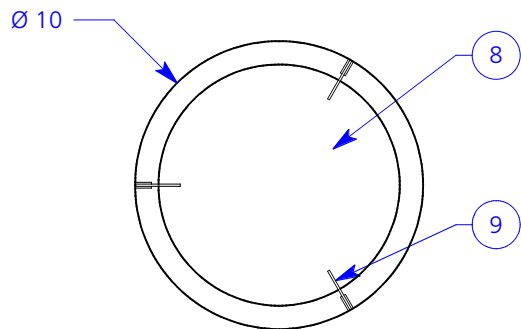
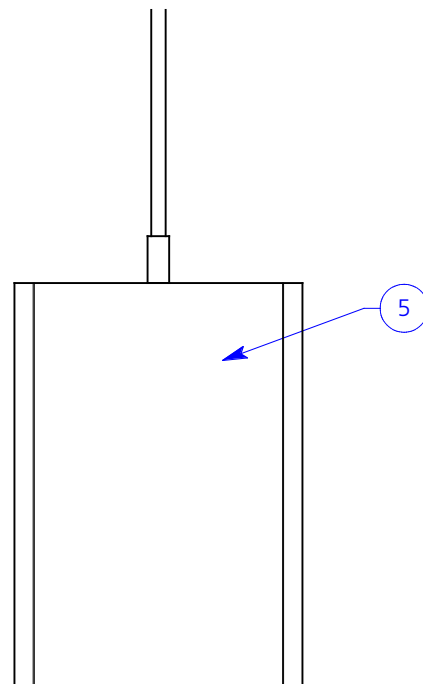
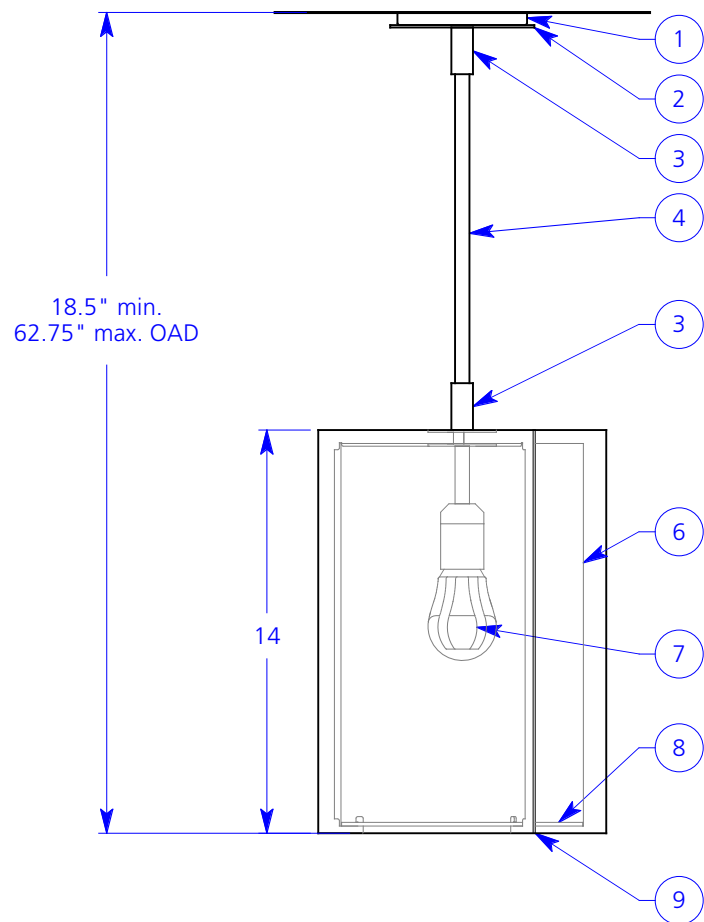


ALL DIMENSIONS IN INCHES



**NOTES:**

1. 4.5" powder coated steel canopy
2. Ø 5" faceplate
3. Aluminum coupler for field cut stem
4. Ø .5" aluminum stem (field cut to length)
5. Carnegie Xorel fabric backed with high-impact copolymer sheet
6. Frosted high-impact copolymer inner diffuser
7. Lamp (NIC)
8. Opal white translucent bottom diffusion disk
9. Powder coated steel spline



Type:  Quantity:

Approval signature:

Name:

Firm:

Date:

**Smith 10-14 Rigid Drop**

**Configurations:**

- 510414M - 14W UltraLED**  
E26 medium base lamp (NIC)
- 510414G - 13~27W CFL**  
GU24 base lamp (NIC)

**Finish options:**

- Silver** - Satin clear anodized aluminum faceplate, couplers, stem, dull silver powder coated canopy and splines, stainless steel fixture mounting fasteners
- Bronze** - "Bronze" powder coated canopy, faceplate, couplers, stem and splines, black fixture mounting fasteners

**Xorel fabric selection:**

2.20.2015

**RESOLUTE**

4617 Colorado Ave. S, Unit A  
Seattle, WA 98134  
T 206.343.9323  
F 888.346.8079  
info@resoluteusa.com