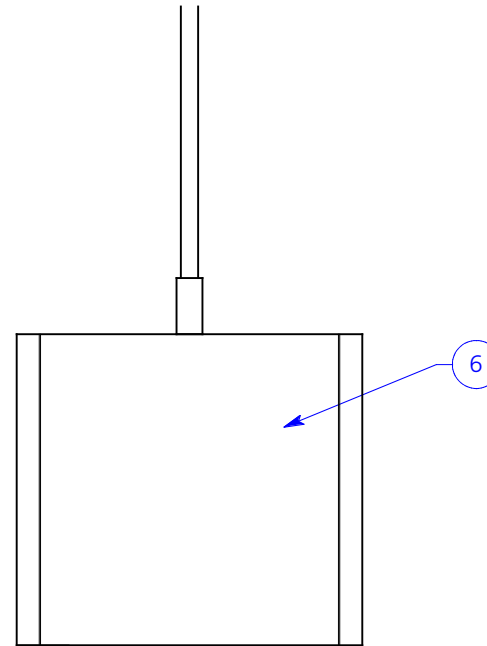
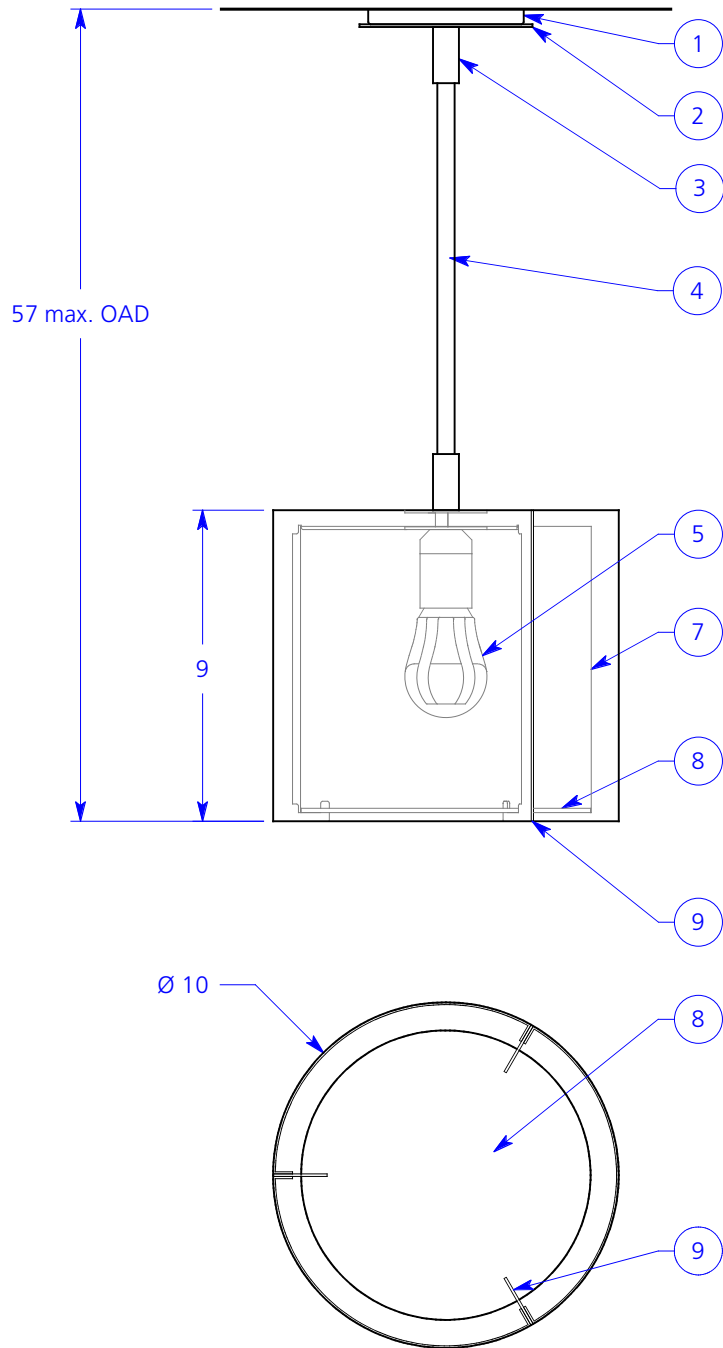


ALL DIMENSIONS IN INCHES



NOTES:

1. Ø 4.5" powder coated steel canopy
2. Ø 5" faceplate
3. Aluminum coupler for field cut stem
4. Ø .5" aluminum stem (field cut to length)
5. Lamp (NIC)
6. Carnegie Xorel fabric backed with high-impact copolymer sheet
7. Frosted high-impact copolymer inner diffuser
8. Opal white translucent bottom diffusion disk
9. Powder coated steel spline



Type: Quantity:

Approval signature:

Name:

Firm:

Date:

Smith 10-9 Rigid Drop

Configurations:

- 51049M - 14W UltraLED**
E26 medium base lamp (NIC)
- 51049G - 13~27W CFL**
GU24 base lamp (NIC)

Finish options:

- Silver** - Satin clear anodized aluminum faceplate, couplers, stem, dull silver powder coated canopy and splines, stainless steel fixture mounting fasteners
- Bronze** - "Bronze" powder coated canopy, faceplate, couplers, stem and splines, black fixture mounting fasteners

Xorel fabric selection:

2.20.2015

RESOLUTE
4617 Colorado Ave. S, Unit A
Seattle, WA 98134
T 206.343.9323
F 888.346.8079
info@resoluteusa.com