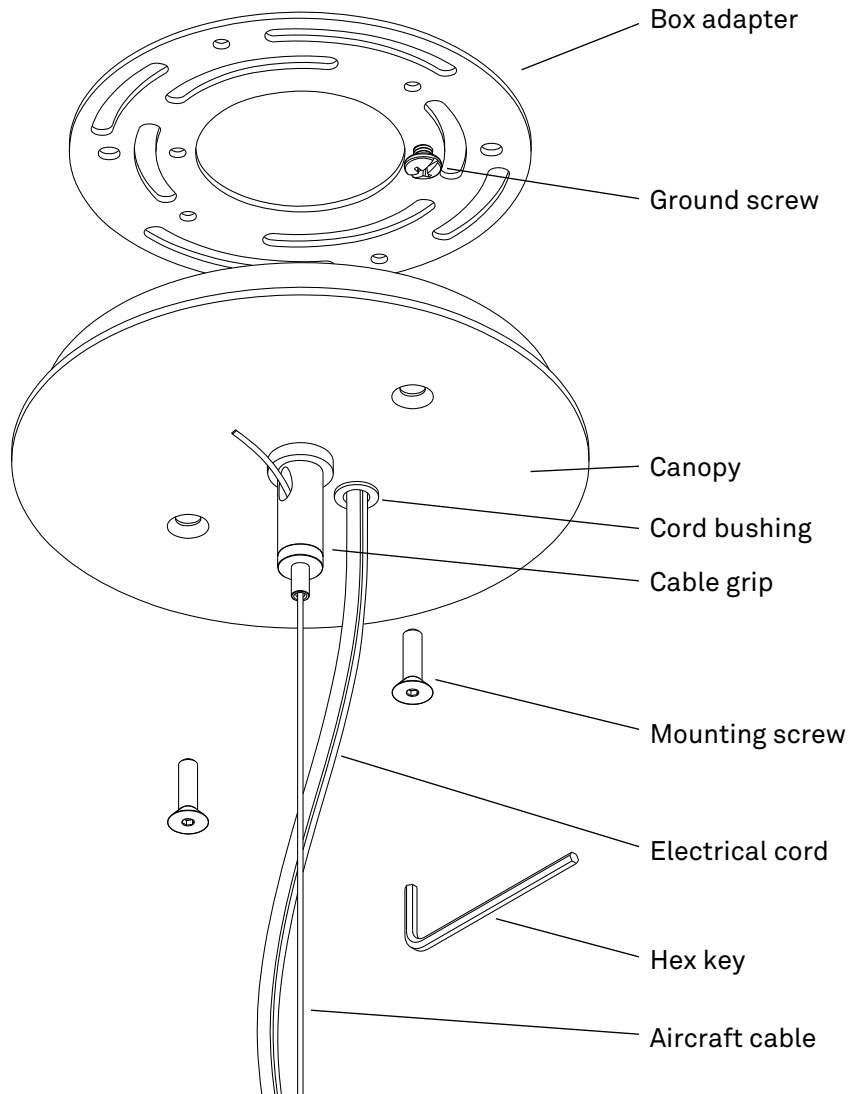


ASSEMBLY INSTRUCTIONS

CABLE PENDANT

DANGER - RISK OF SHOCK - DISCONNECT POWER BEFORE INSTALLATION

1. Determine drop length. Measure, trim and strip electrical cord to the appropriate length.
2. Attach box adapter to junction box.
3. Feed cord through cord bushing in the canopy.
4. Make electrical connections per wiring diagram.
5. Affix canopy to the junction box/box adapter assembly with the two mounting screws provided.
6. Feed aircraft cable through cable grip until desired drop length has been achieved.
7. Push any excess electrical wire into the canopy and trim excess aircraft cable.



RESOLUTE

RESOLUTE is a registered trademark of
MANIFESTO Corporation, Seattle WA
www.resoluteonline.com info@resoluteusa.com

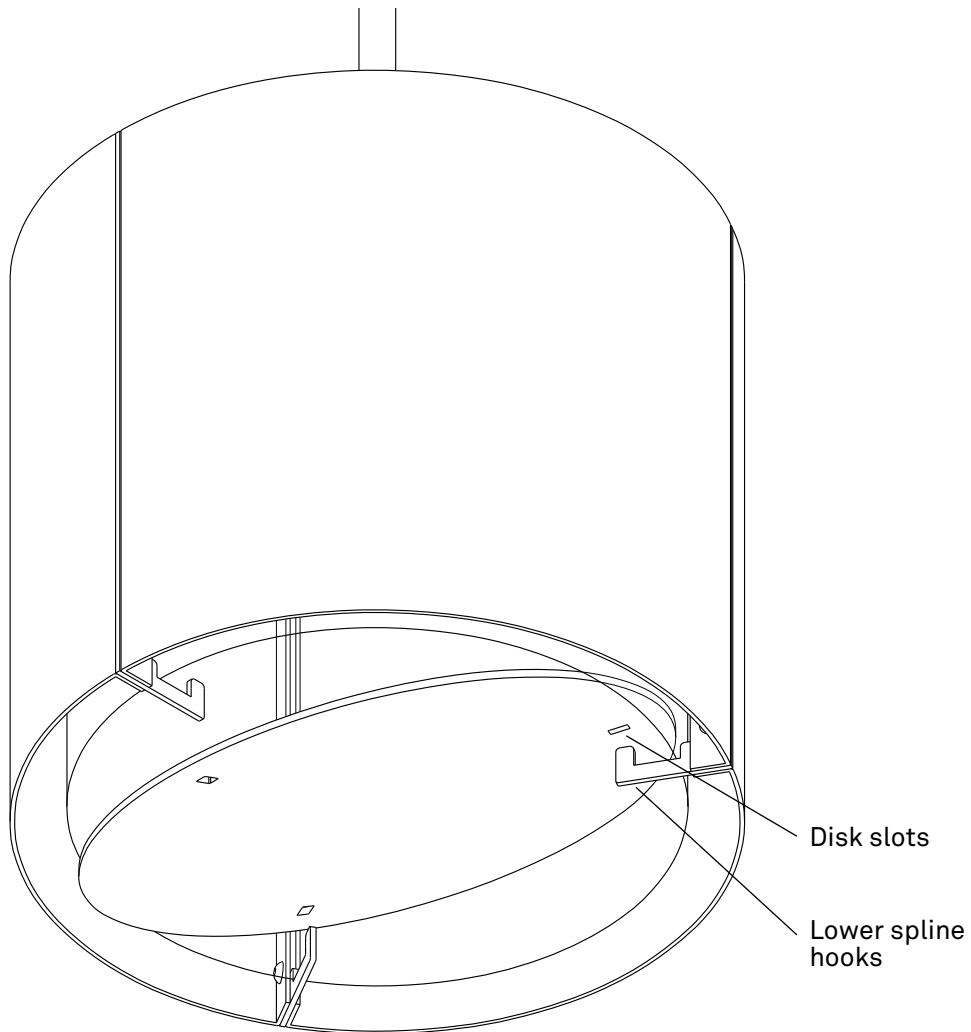


ASSEMBLY INSTRUCTIONS

SMITH PENDANT / CEILING

Installing bottom diffusion disk

1. Raise the diffuser disk up into the shade at an angle up and over two of the three lower spline hooks.
2. Raise the diffusion disk inside shade so as to clear the third lower spline hook.
3. Lay diffusion disk flat and insert hooks into slots in diffusion disk.



RESOLUTE

RESOLUTE is a registered trademark of
MANIFESTO Corporation, Seattle WA
www.resoluteonline.com info@resoluteusa.com



