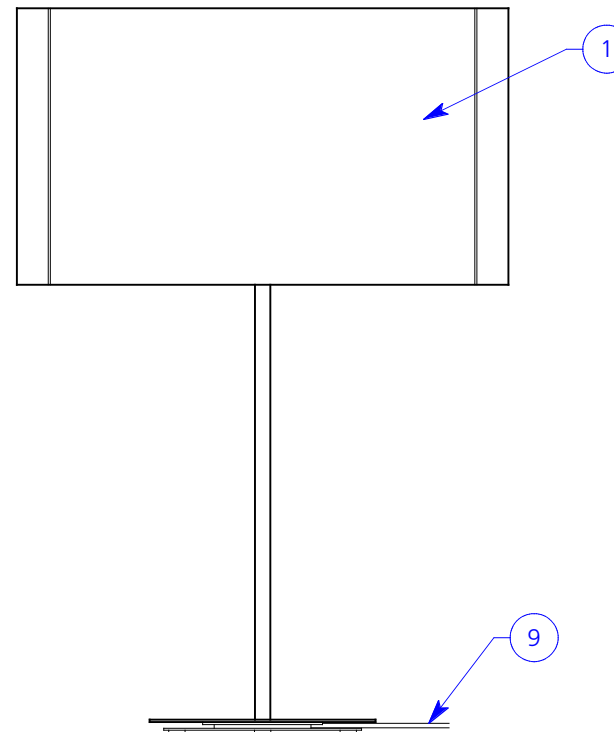
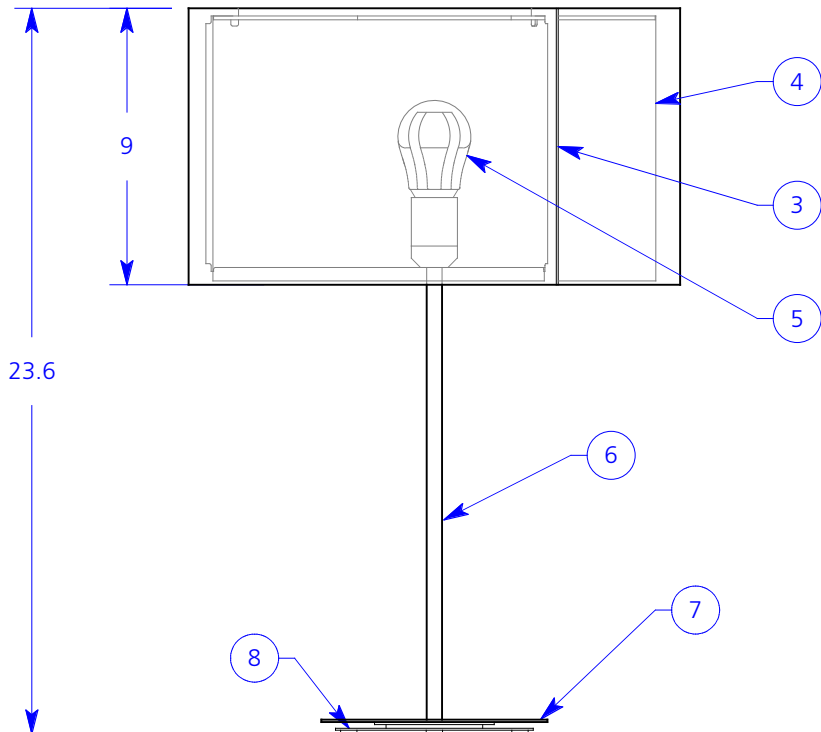
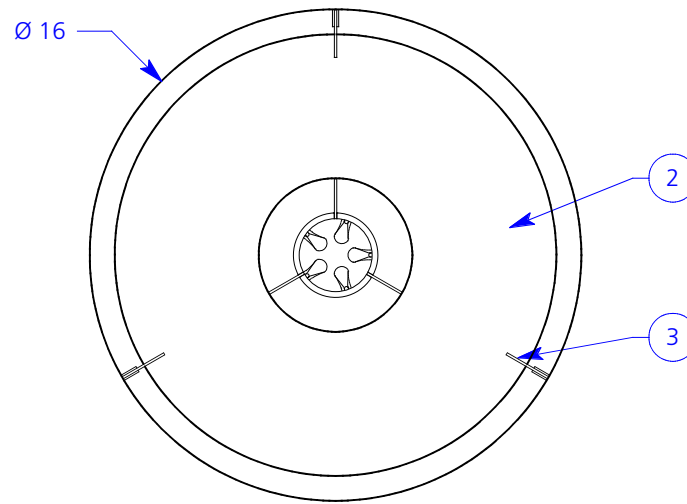


ALL DIMENSIONS IN INCHES

NOTES:

1. Carnegie Xorel fabric backed with high-impact copolymer sheet
2. Opal white translucent top diffusion disk with center hole
3. Powder coated steel spline
4. Frosted high-impact copolymer inner diffuser
5. Lamp (NIC)
6. Ø .5" stem
7. Ø 7.4" faceplate
8. Black powder coated base plate
9. Clear/silver jacket electrical cord with on/off switch



Type: Quantity:

Approval signature:

Name:

Firm:

Date:

Smith 16-9 Table

Configurations:

- 51659M - 14W UltraLED**
E26 medium base lamp (NIC)
- 51659G - 13~27W CFL**
GU24 base lamp (NIC)

Finish options:

- Silver** - Satin clear anodized aluminum faceplate and stem, dull silver powder coated splines
- Bronze** - "Bronze" powder coated canopy, faceplate, stem and splines

Xorel fabric selection:

2.20.2015

RESOLUTE

4617 Colorado Ave. S, Unit A
Seattle, WA 98134
T 206.343.9323
F 888.346.8079
info@resoluteusa.com

