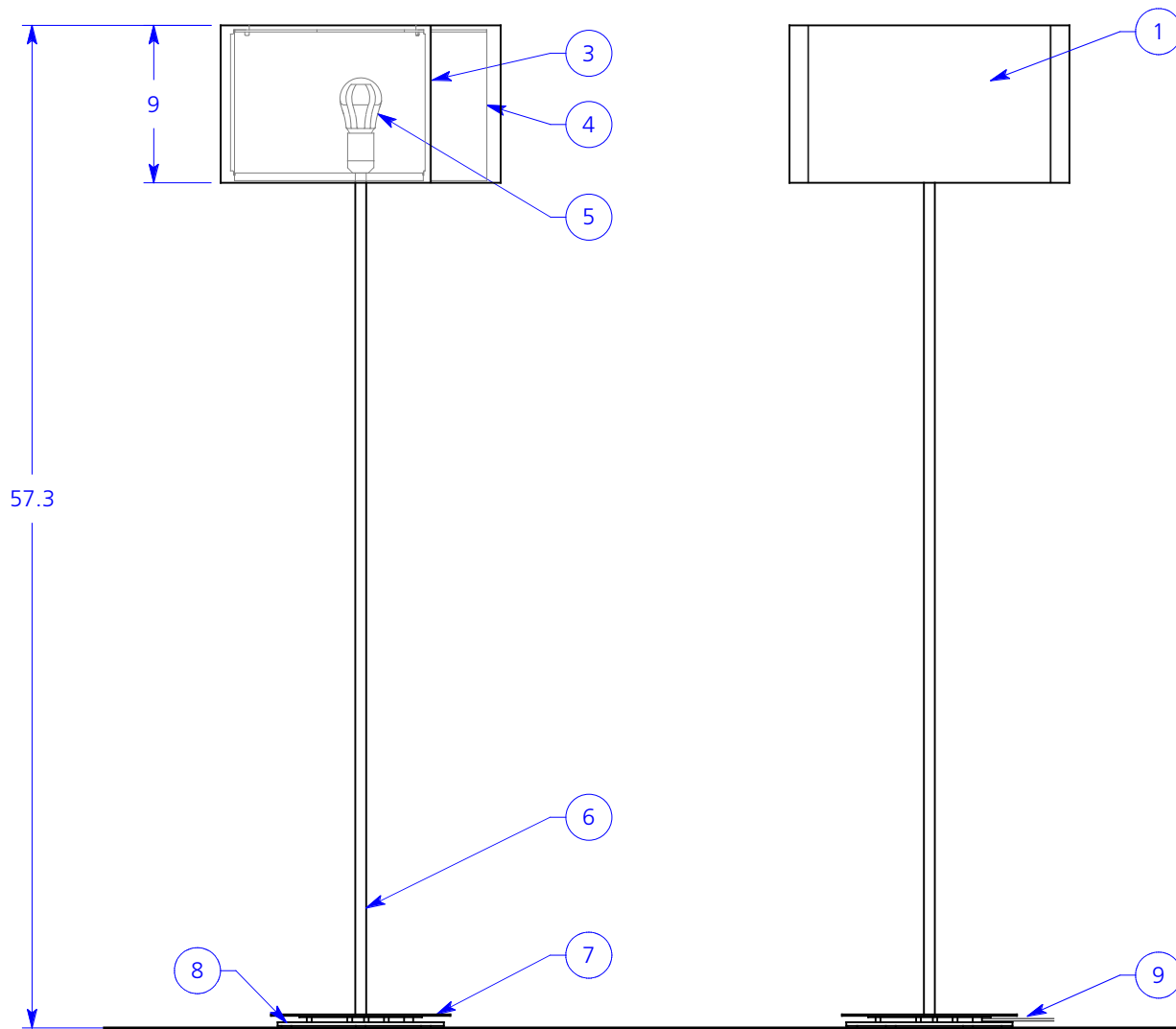
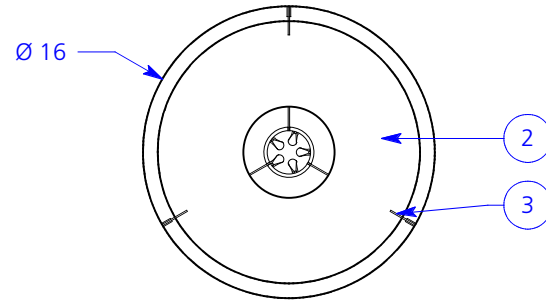


ALL DIMENSIONS IN INCHES

**NOTES:**

1. Carnegie Xorel fabric backed with high-impact copolymer sheet
2. Opal white translucent top diffusion disk with center hole
3. Powder coated steel spline
4. Frosted high-impact copolymer inner diffuser
5. Lamp (NIC)
6. Ø .625" stem
7. Ø 10.25" faceplate
8. Black powder coated base plate
9. Black electrical cord with on/off switch



Type:                      Quantity:

Approval signature:

Name:

Firm:

Date:

**Smith 16-9 Floor**

**Configurations:**

- 51669M - 14W UltraLED**  
E26 medium base lamp (NIC)
- 51669G - 13~27W CFL**  
GU24 base lamp (NIC)

**Finish options:**

- Silver** - Satin clear anodized aluminum faceplate and stem, dull silver powder coated splines
- Bronze** - "Bronze" powder coated canopy, faceplate, stem and splines

**Xorel fabric selection:**

2.20.2015

**RESOLUTE**

4617 Colorado Ave. S, Unit A  
Seattle, WA 98134  
T 206.343.9323  
F 888.346.8079  
info@resoluteusa.com

