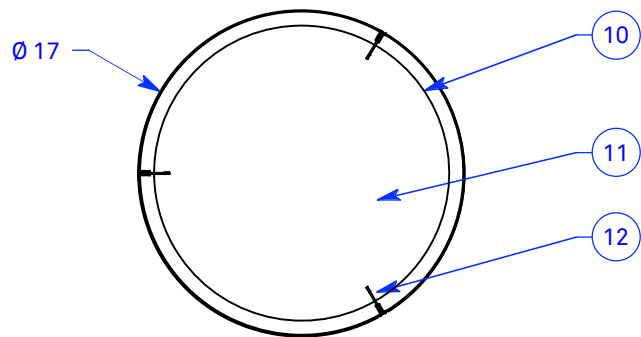
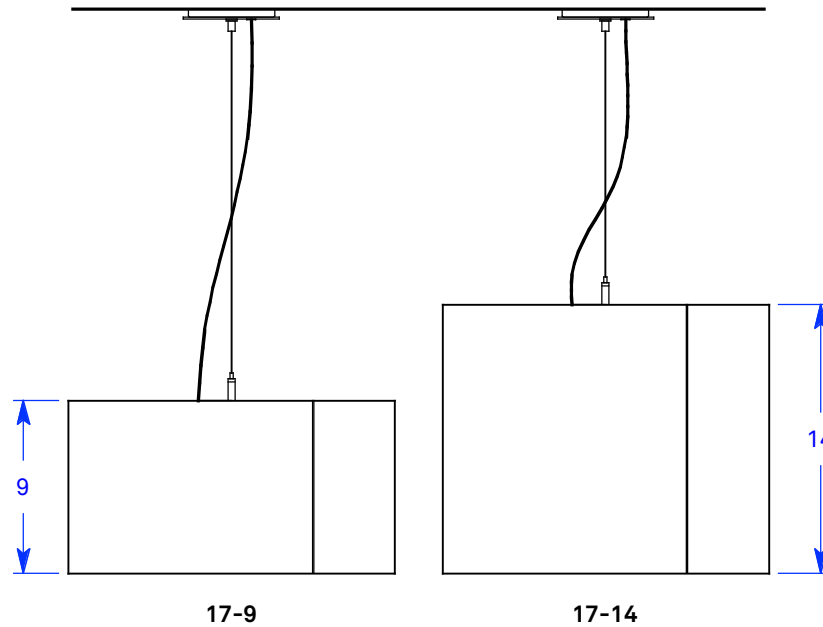
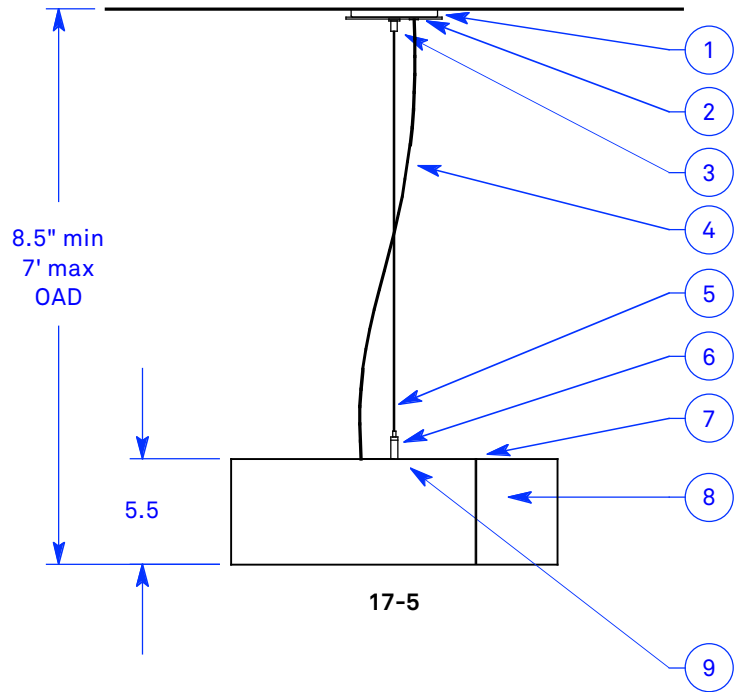


ALL DIMENSIONS IN INCHES



NOTES:

1. Ø 4.5" powder coated canopy
2. Ø 5" faceplate
3. Satin nickel plated suspension cable hardware
4. Clear jacket electrical cord
5. Stainless steel aircraft cable (field cut to length)
6. Nickel plated clutch cable grip with safety nut
7. White reflector
8. Carnegie Xorel fabric backed with high-impact copolymer sheet
9. 2x 3000K LED modules
10. Opal white inner diffuser
11. Opal white bottom diffusion disk
12. Powder coated spline

Type: Quantity:

Approval signature:

Name:

Firm:

Date:

Smith 17 Pendant
21.5 Watt LED, 1% Dimming

Shade configurations:

- 17-5
- 17-9
- 17-14

Driver configurations:

- 0-10V dimming, 2832 source lumens, universal voltage
- Lutron EcoSystem dimming, 2832 source lumens, universal voltage
- Lutron 2-wire phase control dimming, 2832 source lumens, 120 volts

Finish options:

- Silver
- Bronze

Xorel fabric selection:

5.20.2019

RESOLUTE

4617 Colorado Ave. S, Unit A
Seattle, WA 98134
T 206.343.9323
F 888.346.8079
info@resoluteusa.com

