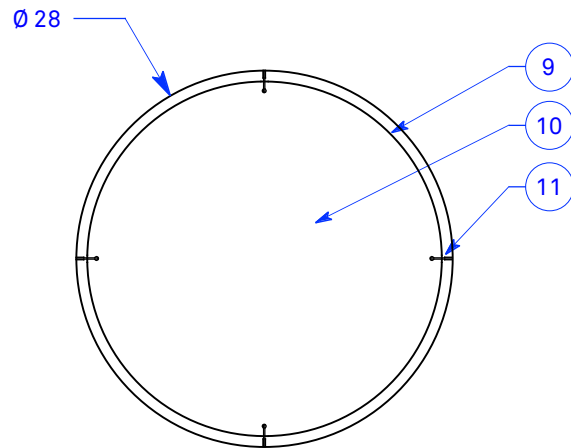
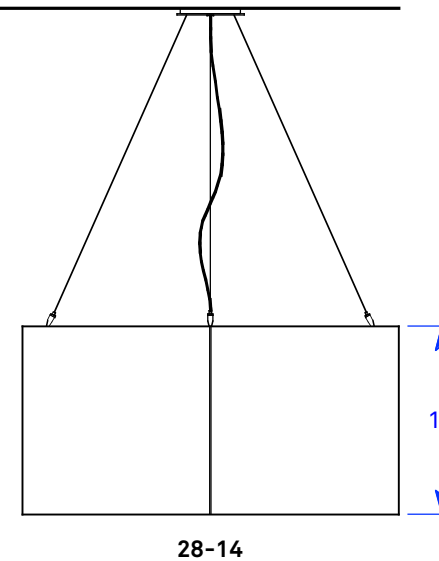
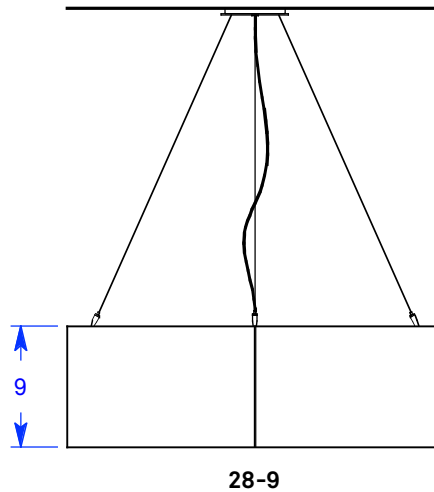
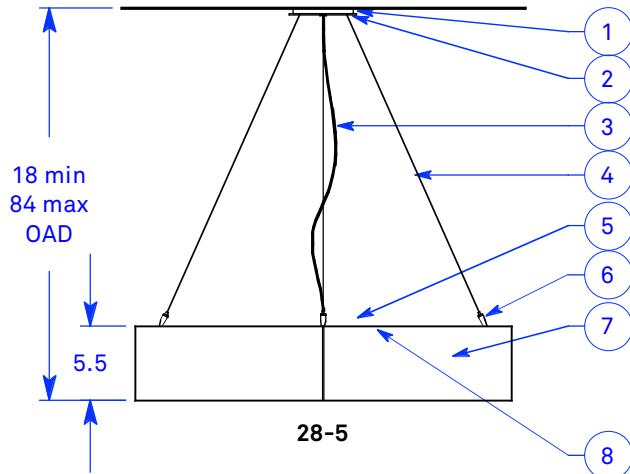


ALL DIMENSIONS IN INCHES



NOTES:

1. Ø 4.5" powder coated canopy
2. Ø 5" faceplate
3. Clear jacket electrical cord
4. Stainless steel aircraft cable (field cut to length)
5. White reflector
6. Nickel plated clutch cable grip with safety nut
7. Carnegie Xorel fabric backed with high-impact copolymer sheet
8. 4x 3000K LED modules
9. Frosted high-impact copolymer inner diffuser
10. Opal white bottom diffusion disk
11. Powder coated spline

Type: Quantity:

Approval signature:

Name:

Firm:

Date:

Smith 28 Pendant
40 Watt LED, 1% Dimming

Shade configurations:

- 28-5
- 28-9
- 28-14

Driver configurations:

- 0-10V dimming, 5888 source lumens, universal voltage
- Lutron EcoSystem dimming, 5888 source lumens, universal voltage
- Lutron 2-wire phase control dimming, 5888 source lumens, 120 volts

Finish options:

- Silver
- Bronze

Xorel fabric selection:

5.20.2019

RESOLUTE

4617 Colorado Ave. S, Unit A
Seattle, WA 98134

T 206.343.9323

F 888.346.8079

info@resoluteusa.com

