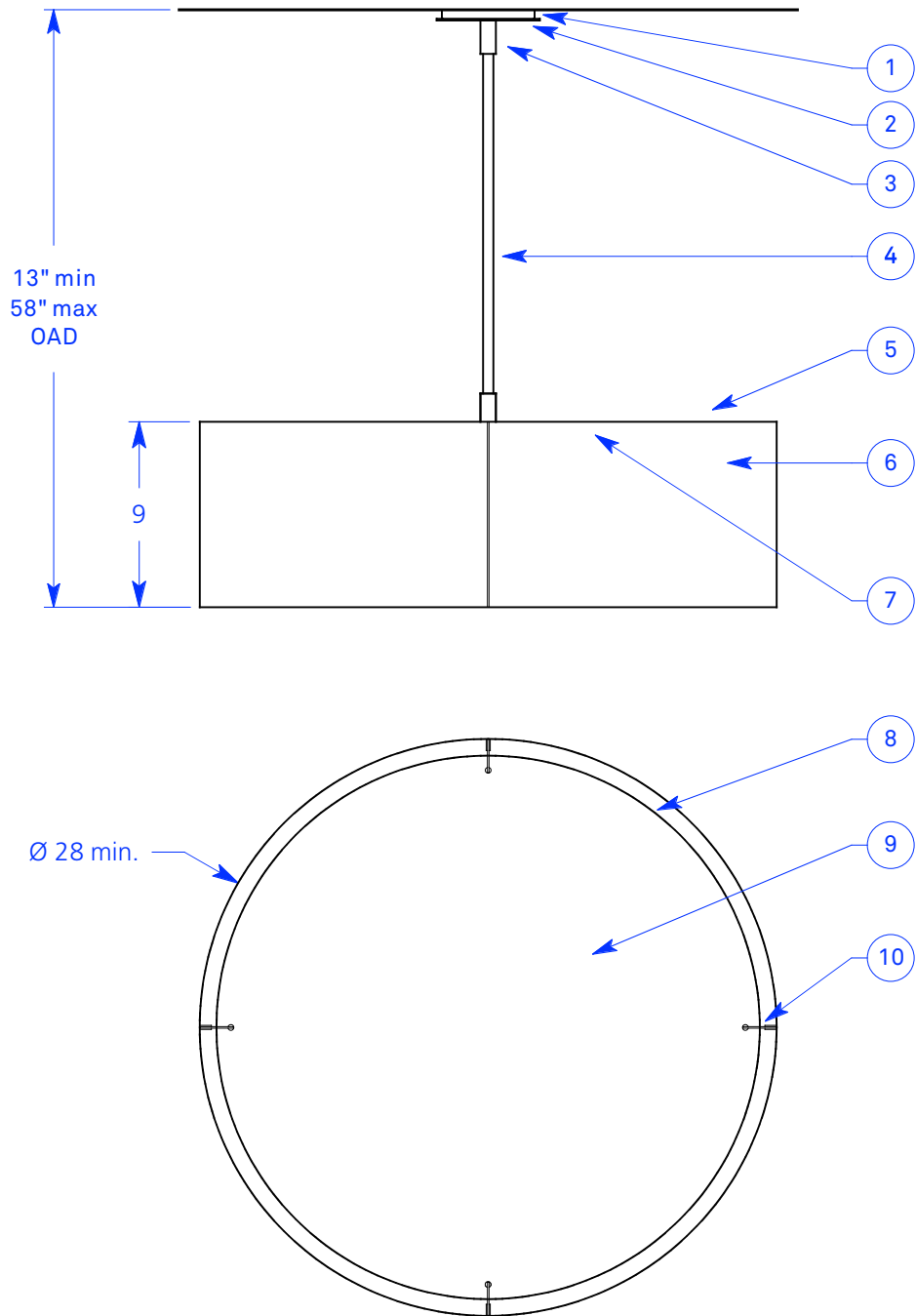


ALL DIMENSIONS IN INCHES



NOTES:

1. Ø 4.5" powder coated canopy
2. Ø 5" faceplate
3. Aluminum coupler for field cut stem
4. Ø .5" aluminum stem (field cut to length)
5. White reflector
6. Carnegie Xorel fabric backed with high-impact copolymer sheet
7. 4x 3000K LED modules
8. Frosted high-impact copolymer inner diffuser
9. Opal white bottom diffusion disk
10. Powder coated spline

Type: Quantity:

Approval signature:

Name:

Firm:

Date:

Smith 28-9 Rigid Drop

40 Watt LED, 1% Dimming
Universal voltage

Driver configurations:

- S28490** - 0-10V dimming,
5888 source lumens
Osram driver: 79442
- S2849L** - Lutron dimming,
5814 source lumens
Specify Lutron control system:

Finish options:

- Silver
 Bronze

Xorel fabric selection:

5.24.2016

RESOLUTE

4617 Colorado Ave. S, Unit A
Seattle, WA 98134
T 206.343.9323
F 888.346.8079
info@resoluteusa.com

