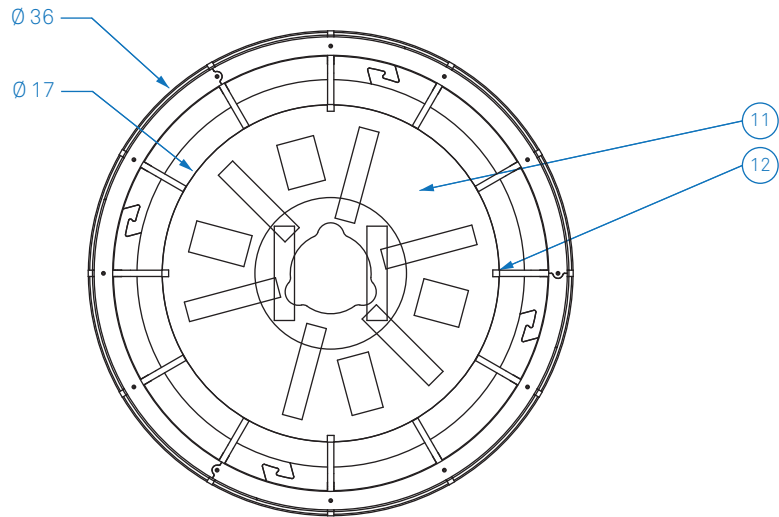
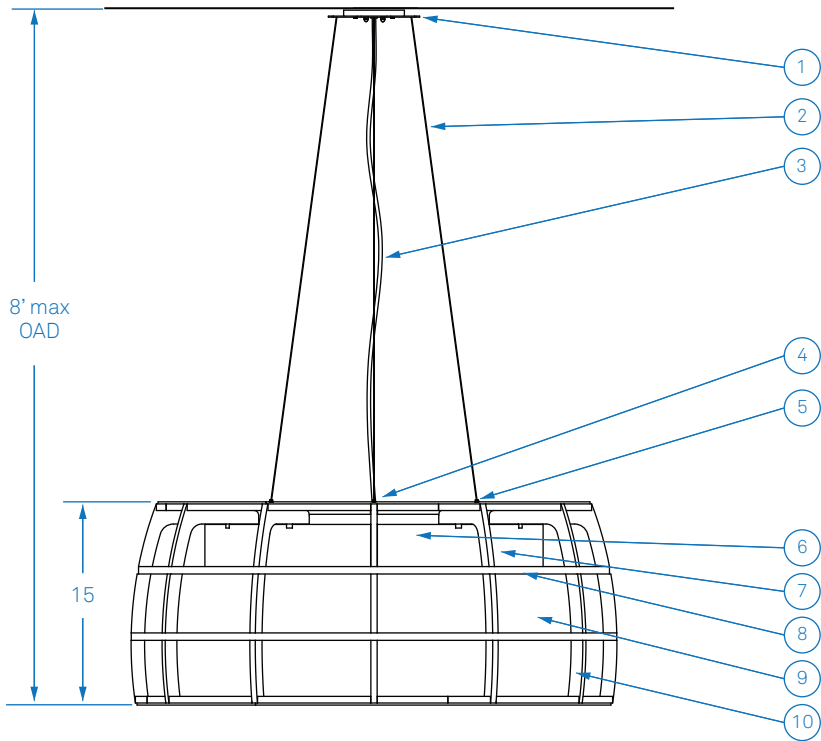
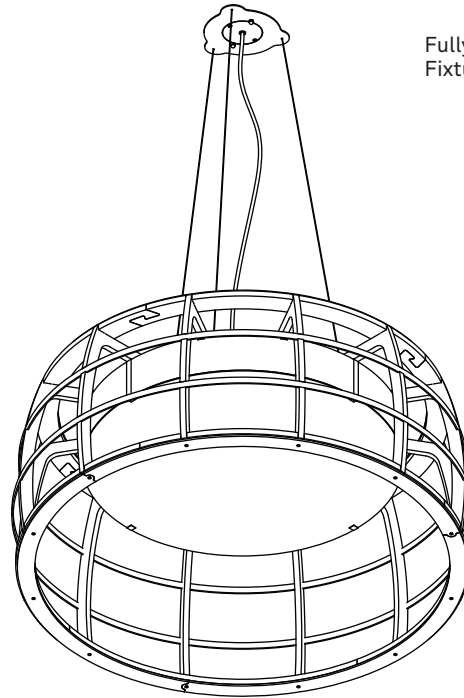


ALL DIMENSIONS IN INCHES



NOTES

1. Matte silver powder coated \varnothing 4.5" canopy, Lustre finished \varnothing 7.5" (around lobes) faceplate with electrical connection access door
2. Stainless steel aircraft cable (field cut to length)
3. Clear jacket electrical cord (field cut to length)
4. Optional 3000K 90+ CRI LED uplight module, 2595 source lumens, other color temperatures available upon request
5. Nickel plated clutch cable grip with safety nut
6. LED capsule containing 6x 3000K 90+ CRI LED downlight modules, 5828 total source lumens, other color temperatures available upon request
7. Side diffusion: opal white high-impact copolymer
8. Oak wood bands, Summer Oak finish
9. Carnegie Xorel fabric stretched over structure
10. FSC Certified 12mm okoume plywood structure Summer Oak finish
11. Bottom diffuser: sailcloth
12. White diffusion disk retaining tabs



Fully Loaded
Fixture Weight: 17 lbs

Type:	Quantity:
Approval Signature:	
Name:	
Specifier:	
Date:	
<p>Mosquito \varnothing 36" Model M36 1% Dimming 41 Watts 61 Watts with uplight module</p>	
<p>Driver Configurations:</p> <p><input type="checkbox"/> Lutron EcoSystem dimming, universal voltage</p> <p><input type="checkbox"/> 0-10V dimming, universal voltage</p> <p><input type="checkbox"/> Lutron 2-wire phase control dimming, 120 volts</p>	
<p>Fixture Options</p> <p><input type="checkbox"/> Uplight module</p> <p><input type="checkbox"/> Wireless control, Lutron Pow Pak</p> <p><input type="checkbox"/> Cloth covered cord</p>	
<p>Xorel Fabric Selection</p>	
<p>01.06.21</p>	
<p>RESOLUTE</p> <p>4617 Colorado Ave. S, Unit A Seattle, WA 98134 T 206.343.9323 info@resoluteusa.com</p>	

