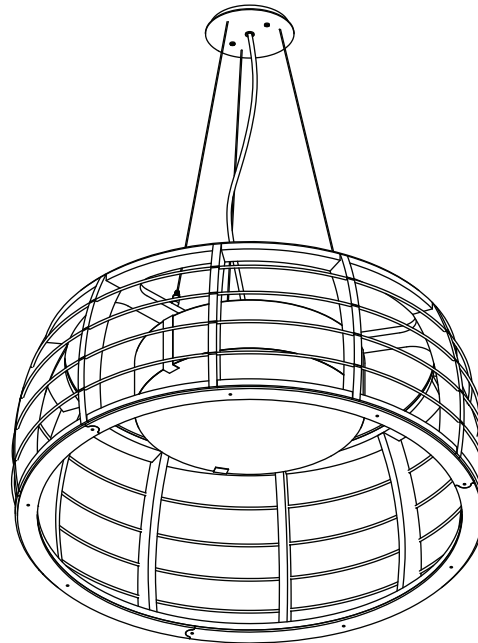
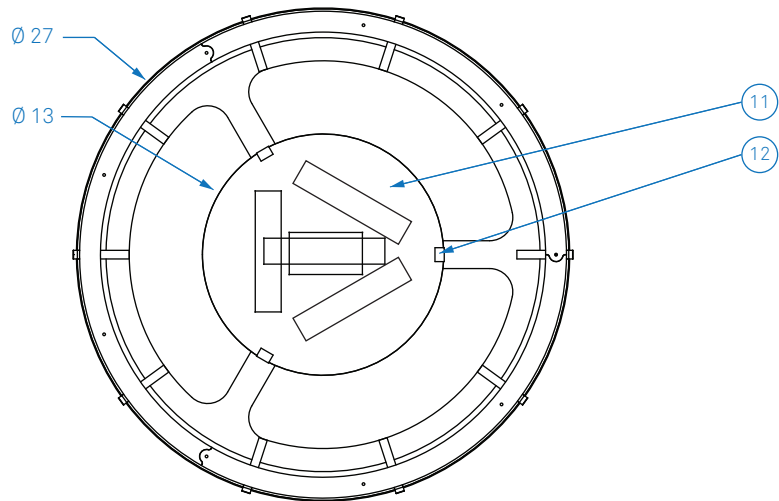


NOTES

1. Matte silver powder coated Ø 4.5" canopy and Ø 5" faceplate
2. Stainless steel aircraft cable (field cut to length)
3. Clear jacket electrical cord (field cut to length)
4. 3000K 90+ CRI LED uplight module, 1278 source lumens, other color temperatures available upon request
5. Nickel plated clutch cable grip with safety nut
6. LED capsule containing 3x 3000K 90+ CRI downlight modules, 3836 total source lumens, other color temperatures available upon request
7. Side diffuser: opal white high-impact copolymer
8. Natural kraft paper wrapped steel wire band
9. Carnegie Xorel fabric stretched over structure
10. FSC Certified 9 mm okoume plywood structure
11. Bottom diffuser: opal white high-impact copolymer
12. White diffusion disk retaining tabs



Type:	Quantity:
Approval Signature:	
Name:	
Specifier:	
Date:	
<p>Mosquito Superlight Model MK27 39 Watts, 1% Dimming</p>	
<p>Driver Configurations:</p> <p><input type="checkbox"/> Lutron EcoSystem dimming, universal voltage</p> <p><input type="checkbox"/> 0-10V dimming, universal voltage</p> <p><input type="checkbox"/> Lutron 2-wire phase control dimming, 120 volts</p>	
<p>Xorel Fabric Selection</p> <div style="border: 1px solid black; height: 30px; width: 100%;"></div>	
01.07.21	
<p>RESOLUTE</p> <p>4617 Colorado Ave. S, Unit A Seattle, WA 98134 T 206.343.9323 info@resoluteusa.com</p>	

