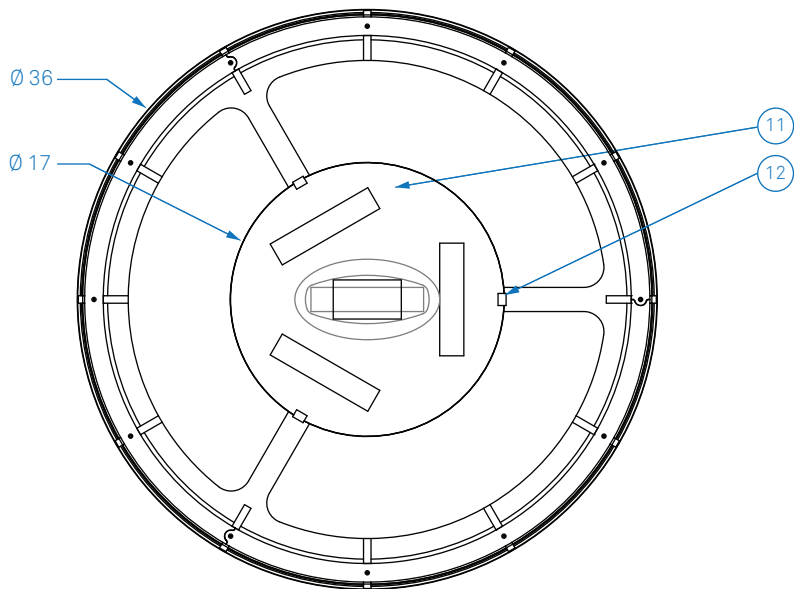
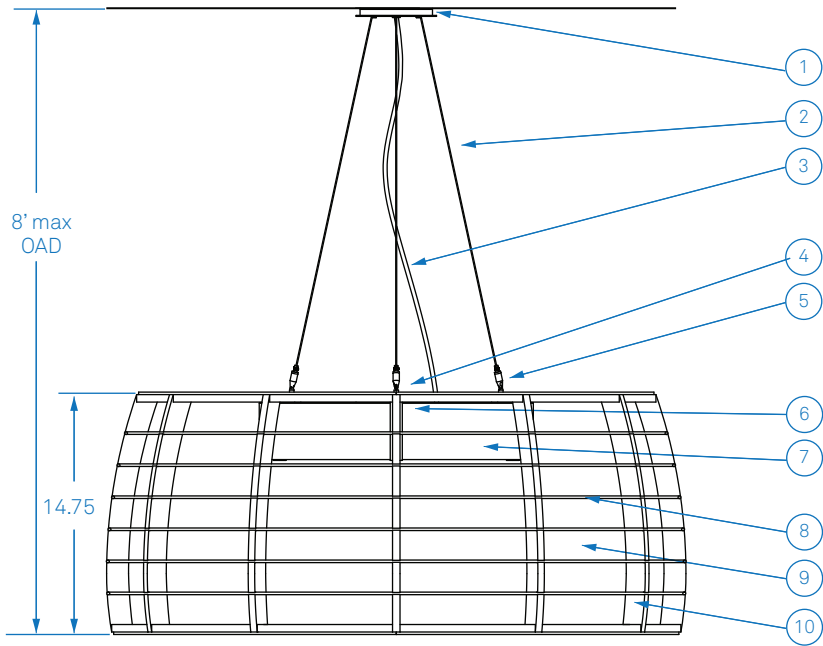
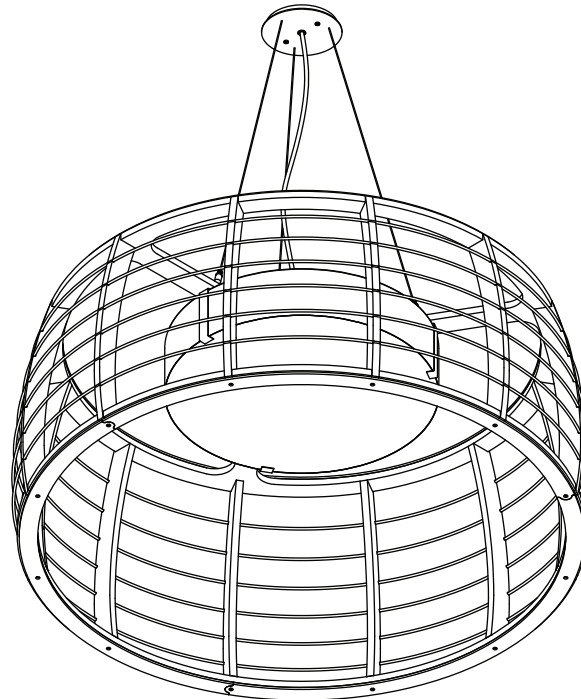


ALL DIMENSIONS IN INCHES



**NOTES**

1. Matte silver powder coated  $\varnothing$  4.5" canopy and  $\varnothing$  5" faceplate
2. Stainless steel aircraft cable (field cut to length)
3. Clear jacket electrical cord (field cut to length)
4. 3000K 90+ CRI LED uplight module, 1278 source lumens, other color temperatures available upon request
5. Nickel plated clutch cable grip with safety nut
6. LED capsule containing 3x 3000K 90+ CRI downlight modules, 3836 total source lumens, other color temperatures available upon request
7. Side diffuser: opal white high-impact copolymer
8. Natural kraft paper wrapped steel wire band
9. Carnegie Xorel fabric stretched over structure
10. FSC Certified 9mm okoume plywood structure
11. Bottom diffuser: opal white high-impact copolymer
12. White diffusion disk retaining tabs



Type:	Quantity:
-------	-----------

Approval Signature:	
---------------------	--

Name:	
-------	--

Specifier:	
------------	--

Date:	
-------	--

<p><b>Mosquito Superlight</b>          Model MK36          39 Watts, 1% Dimming</p>	
---	--

<p><b>Driver Configurations:</b></p> <p><input type="checkbox"/> Lutron EcoSystem dimming, universal voltage</p> <p><input type="checkbox"/> 0-10V dimming, universal voltage</p> <p><input type="checkbox"/> Lutron 2-wire phase control dimming, 120 volts</p>	
--	--

<p><b>Xorel Fabric Selection</b></p> <div style="border: 1px solid black; height: 30px; width: 100%;"></div>	
--	--

01.11.21

**RESOLUTE**  
 4617 Colorado Ave. S, Unit A  
 Seattle, WA 98134  
 T 206.343.9323  
 info@resoluteusa.com

