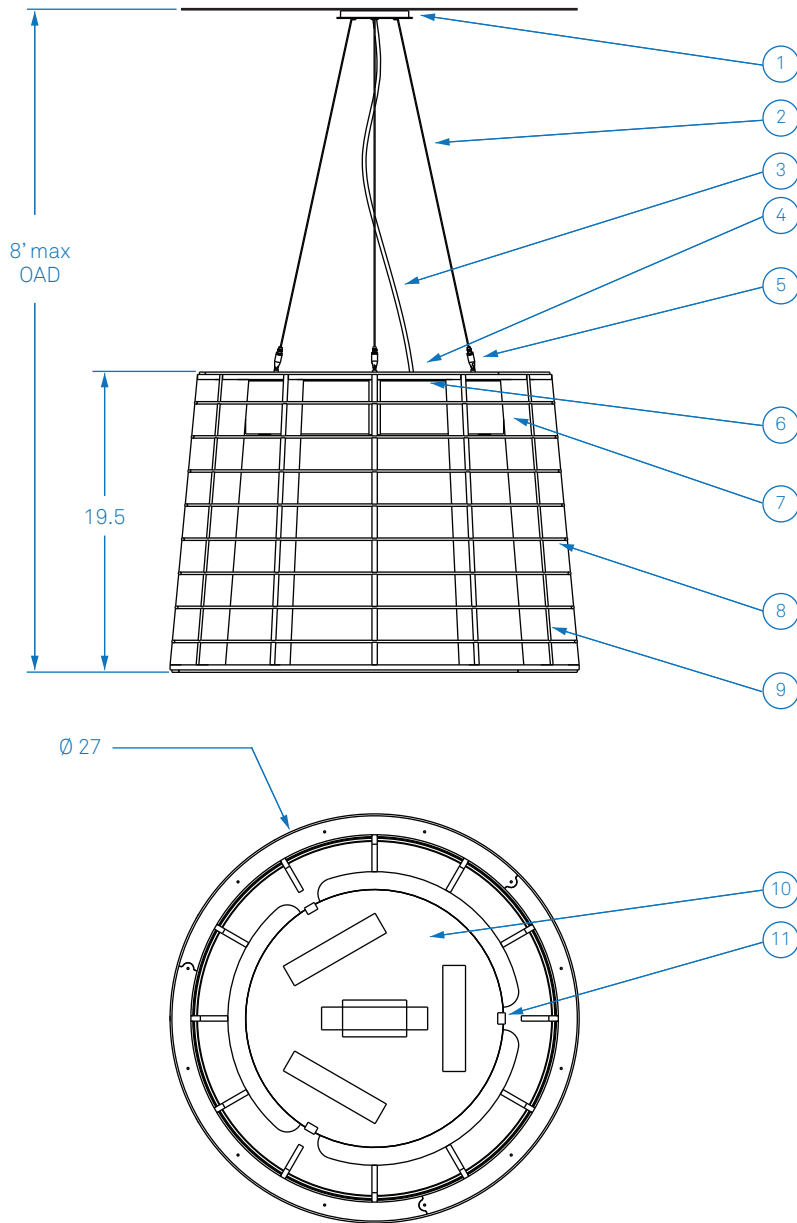
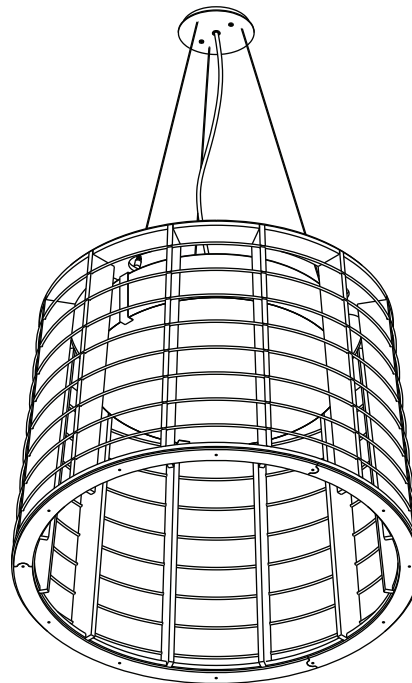


ALL DIMENSIONS IN INCHES



NOTES

1. Ø 4.5", dull silver powder coated canopy and Ø 5" faceplate
2. Stainless steel aircraft cable (field cut to length)
3. Clear jacket electrical cord (field cut to length)
4. 3000K LED uplight module, 1307 source lumens, other color temperatures available upon request
5. Nickel plated clutch cable grip with safety nut
6. 3x 3000K LED downlight modules, 3921 total source lumens, other color temperatures available upon request
7. Side diffuser: opal white high-impact copolymer, other color temperatures available upon request
8. Natural kraft paper wrapped steel wire band
9. FSC Certified 9 mm okoume plywood structure
10. Bottom diffuser: opal white high-impact copolymer
11. Diffusion disk retaining tabs finished with Matte White powder coat



Type:	Quantity:
Approval Signature:	
Name:	
Specifier:	
Date:	
<p>NARA 2 32 Watts, 1% Dimming</p>	
<p>Driver Configurations:</p> <p><input type="checkbox"/> Lutron EcoSystem dimming, universal voltage</p> <p><input type="checkbox"/> Lutron 2-wire phase control dimming, 120 volts</p> <p><input type="checkbox"/> 0-10V dimming, universal voltage</p>	
<p>Wood Finish Selection:</p> <p><input type="checkbox"/> Summer Oak</p> <p><input type="checkbox"/> Ebony</p> <p><input type="checkbox"/> Sunbleached Grey</p> <p><input type="checkbox"/> Beni-iro (Red)</p>	
<p>Custom Stain Finish:</p> <input type="text"/>	
<p>Xorel fabric Selection:</p> <input type="text"/>	
8.06.20	
<p>RESOLUTE</p> <p>4617 Colorado Ave. S, Unit A Seattle, WA 98134 T 206.343.9323 info@resoluteusa.com</p>	

