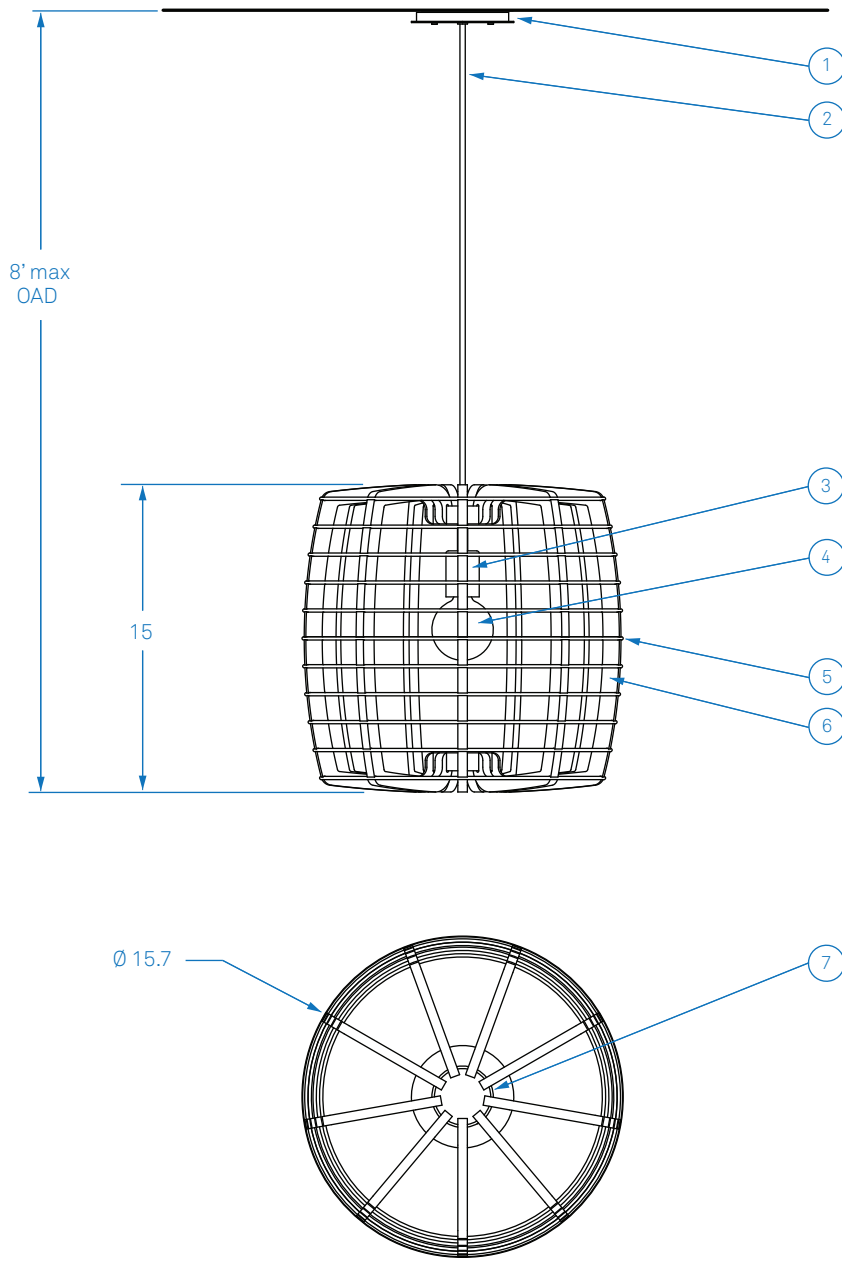
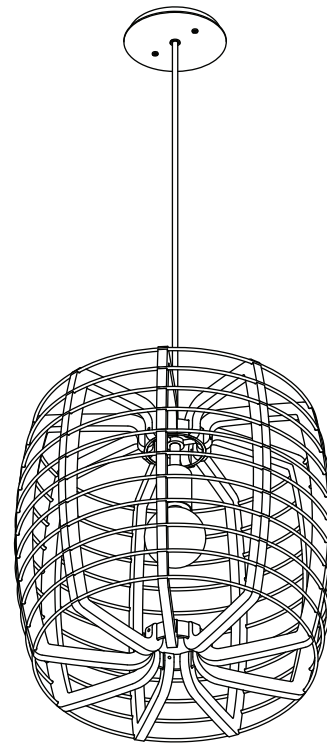


ALL DIMENSIONS IN INCHES



NOTES

1. Black Ø 4.5" canopy
Ø 5" faceplate, Gold Leaf or Silver Leaf finish
2. Cloth covered cord (field cut to length)
3. E26 lampholder
Gold Leaf or Silver Leaf finished socket cover
4. E26 (medium) base globe filament lamp (NIC)
5. Natural kraft paper wrapped steel wire bands
6. FSC Certified 12 mm okoume plywood structure
Summer Oak finish
7. Ø 3" aluminum collar,
Gold Leaf or Silver Leaf finish



Type:	Quantity:												
Approval Signature:													
Name:													
Specifier:													
Date:													
<p>STELLA 1 Model STE1 15W LED E26 (medium) base G25 lamp max, clear filament or opal recommended 120V, lamp (NIC)</p>													
<p>Hardware finish:</p> <p><input type="checkbox"/> Gold Leaf <input type="checkbox"/> Silver Leaf</p> <div style="border: 1px solid black; height: 20px; width: 100%;"></div>													
<p>Cloth covered cord:</p> <table style="width: 100%; border: none;"> <tr> <td><input type="checkbox"/> Black</td> <td><input type="checkbox"/> White</td> </tr> <tr> <td><input type="checkbox"/> Charcoal</td> <td><input type="checkbox"/> Silver</td> </tr> <tr> <td><input type="checkbox"/> Antique gold</td> <td><input type="checkbox"/> Red</td> </tr> <tr> <td><input type="checkbox"/> Navy</td> <td><input type="checkbox"/> Yellow</td> </tr> <tr> <td><input type="checkbox"/> Teal</td> <td><input type="checkbox"/> Orange</td> </tr> <tr> <td><input type="checkbox"/> Olive</td> <td><input type="checkbox"/> Burgundy</td> </tr> </table> <p>Other Color By Request</p> <div style="border: 1px solid black; height: 20px; width: 100%;"></div>		<input type="checkbox"/> Black	<input type="checkbox"/> White	<input type="checkbox"/> Charcoal	<input type="checkbox"/> Silver	<input type="checkbox"/> Antique gold	<input type="checkbox"/> Red	<input type="checkbox"/> Navy	<input type="checkbox"/> Yellow	<input type="checkbox"/> Teal	<input type="checkbox"/> Orange	<input type="checkbox"/> Olive	<input type="checkbox"/> Burgundy
<input type="checkbox"/> Black	<input type="checkbox"/> White												
<input type="checkbox"/> Charcoal	<input type="checkbox"/> Silver												
<input type="checkbox"/> Antique gold	<input type="checkbox"/> Red												
<input type="checkbox"/> Navy	<input type="checkbox"/> Yellow												
<input type="checkbox"/> Teal	<input type="checkbox"/> Orange												
<input type="checkbox"/> Olive	<input type="checkbox"/> Burgundy												
8.27.20													
<p style="font-size: 2em; font-weight: bold; margin: 0;">RESOLUTE</p> <p style="font-size: 0.8em; margin: 0;">4617 Colorado Ave. S, Unit A Seattle, WA 98134 T 206.343.9323 info@resoluteusa.com</p>													

