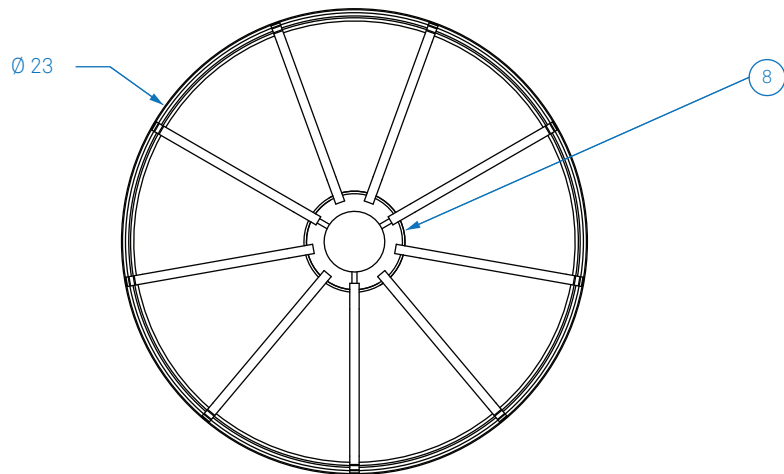
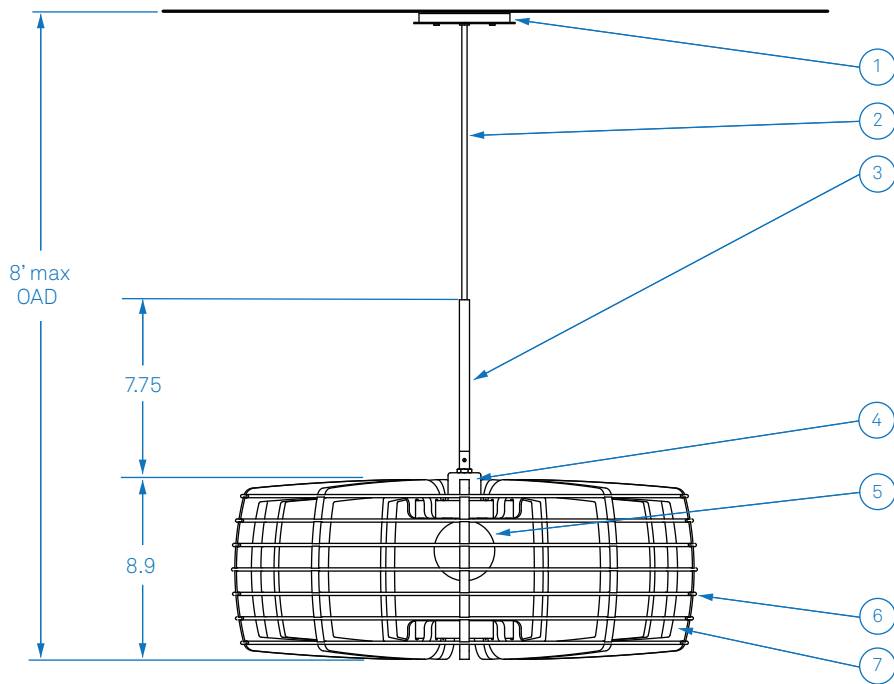
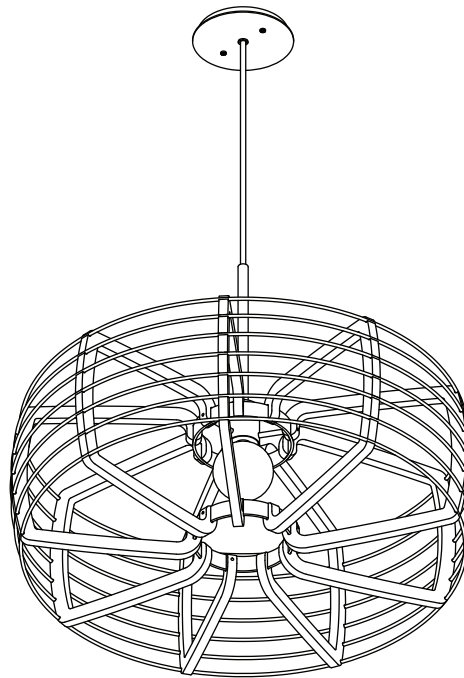


ALL DIMENSIONS IN INCHES



**NOTES**

1. Black  $\varnothing$  4.5" canopy  
 $\varnothing$  5" faceplate, Gold Leaf or Silver Leaf finish
2. Cloth covered cord (field cut to length)
3.  $\varnothing$  0.5" stem, Gold Leaf or Silver Leaf finish
4. E26 lampholder  
Gold Leaf or Silver Leaf finished socket cover
5. E26 (medium) base globe filament lamp (NIC)
6. Natural kraft paper wrapped steel wire bands
7. FSC Certified 12 mm okoume plywood structure  
Summer Oak finish
8.  $\varnothing$  5" aluminum collar,  
Gold Leaf or Silver Leaf finish



Type:	Quantity:												
Approval Signature:													
Name:													
Specifier:													
Date:													
<p><b>STELLA 23</b>  <b>Model STE23</b>          15W LED E26 (medium) base          G30 lamp max, clear filament          or opal recommended          120V, lamp NIC</p>													
<p>Hardware finish:</p> <input type="checkbox"/> Gold Leaf <input type="checkbox"/> Silver Leaf <input type="text"/>													
<p>Cloth covered cord:</p> <table border="0"> <tr> <td><input type="checkbox"/> Black</td> <td><input type="checkbox"/> White</td> </tr> <tr> <td><input type="checkbox"/> Charcoal</td> <td><input type="checkbox"/> Silver</td> </tr> <tr> <td><input type="checkbox"/> Antique gold</td> <td><input type="checkbox"/> Red</td> </tr> <tr> <td><input type="checkbox"/> Navy</td> <td><input type="checkbox"/> Yellow</td> </tr> <tr> <td><input type="checkbox"/> Teal</td> <td><input type="checkbox"/> Orange</td> </tr> <tr> <td><input type="checkbox"/> Olive</td> <td><input type="checkbox"/> Burgundy</td> </tr> </table> <p>Other Color By Request  <input type="text"/></p>		<input type="checkbox"/> Black	<input type="checkbox"/> White	<input type="checkbox"/> Charcoal	<input type="checkbox"/> Silver	<input type="checkbox"/> Antique gold	<input type="checkbox"/> Red	<input type="checkbox"/> Navy	<input type="checkbox"/> Yellow	<input type="checkbox"/> Teal	<input type="checkbox"/> Orange	<input type="checkbox"/> Olive	<input type="checkbox"/> Burgundy
<input type="checkbox"/> Black	<input type="checkbox"/> White												
<input type="checkbox"/> Charcoal	<input type="checkbox"/> Silver												
<input type="checkbox"/> Antique gold	<input type="checkbox"/> Red												
<input type="checkbox"/> Navy	<input type="checkbox"/> Yellow												
<input type="checkbox"/> Teal	<input type="checkbox"/> Orange												
<input type="checkbox"/> Olive	<input type="checkbox"/> Burgundy												
8.27.20													
<p><b>RESOLUTE</b>          4617 Colorado Ave. S, Unit A          Seattle, WA 98134          T 206.343.9323          info@resoluteusa.com</p>													

