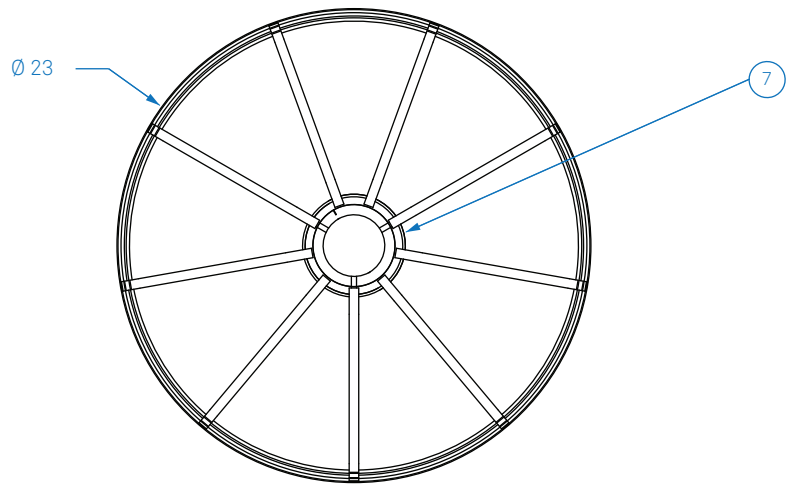
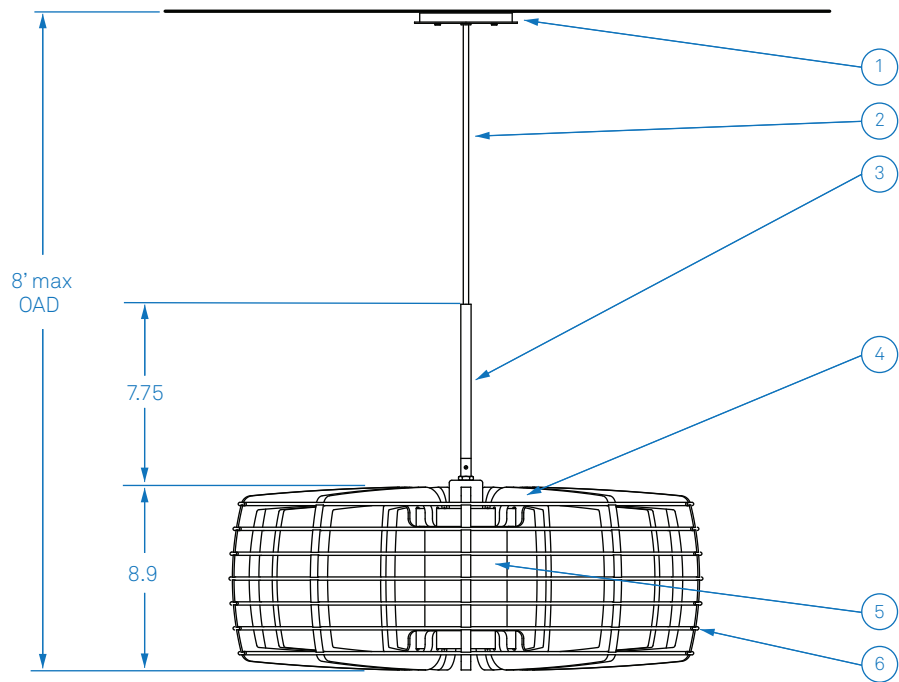
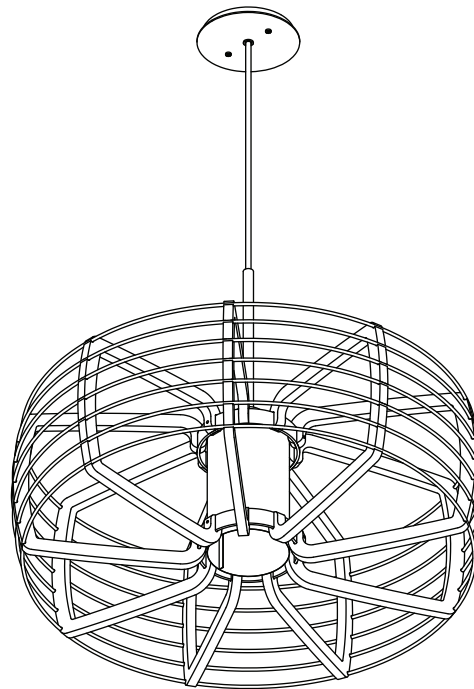


ALL DIMENSIONS IN INCHES



**NOTES**

1. Black  $\varnothing 4.5$ " canopy  
 $\varnothing 5$ " faceplate, Gold Leaf or Silver Leaf finish
2. Cloth covered cord (field cut to length)
3.  $\varnothing 0.5$ " stem, Gold Leaf or Silver Leaf finish
4. FSC Certified 12 mm okoume plywood structure  
Summer Oak finish
5. Aramid diffuser
6. Natural kraft paper wrapped steel wire bands
7.  $\varnothing 5$ " aluminum collar,  
Gold Leaf or Silver Leaf finish



Type:	Quantity:												
Approval Signature:													
Name:													
Specifier:													
Date:													
<p><b>STELLA 25</b>  <b>Model STE25</b>          15W LED E26 (medium) base          G25 lamp max, opal recommended          120v, lamp (NIC)</p>													
<p>Hardware finish:</p> <input type="checkbox"/> Gold Leaf <input type="checkbox"/> Silver Leaf <input type="text"/>													
<p>Cloth covered cord:</p> <table border="0"> <tr> <td><input type="checkbox"/> Black</td> <td><input type="checkbox"/> White</td> </tr> <tr> <td><input type="checkbox"/> Charcoal</td> <td><input type="checkbox"/> Silver</td> </tr> <tr> <td><input type="checkbox"/> Antique gold</td> <td><input type="checkbox"/> Red</td> </tr> <tr> <td><input type="checkbox"/> Navy</td> <td><input type="checkbox"/> Yellow</td> </tr> <tr> <td><input type="checkbox"/> Teal</td> <td><input type="checkbox"/> Orange</td> </tr> <tr> <td><input type="checkbox"/> Olive</td> <td><input type="checkbox"/> Burgundy</td> </tr> </table> <p>Other Color By Request  <input type="text"/></p>		<input type="checkbox"/> Black	<input type="checkbox"/> White	<input type="checkbox"/> Charcoal	<input type="checkbox"/> Silver	<input type="checkbox"/> Antique gold	<input type="checkbox"/> Red	<input type="checkbox"/> Navy	<input type="checkbox"/> Yellow	<input type="checkbox"/> Teal	<input type="checkbox"/> Orange	<input type="checkbox"/> Olive	<input type="checkbox"/> Burgundy
<input type="checkbox"/> Black	<input type="checkbox"/> White												
<input type="checkbox"/> Charcoal	<input type="checkbox"/> Silver												
<input type="checkbox"/> Antique gold	<input type="checkbox"/> Red												
<input type="checkbox"/> Navy	<input type="checkbox"/> Yellow												
<input type="checkbox"/> Teal	<input type="checkbox"/> Orange												
<input type="checkbox"/> Olive	<input type="checkbox"/> Burgundy												
8.27.20													
<p><b>RESOLUTE</b>          4617 Colorado Ave. S, Unit A          Seattle, WA 98134          T 206.343.9323          info@resoluteusa.com</p>													

