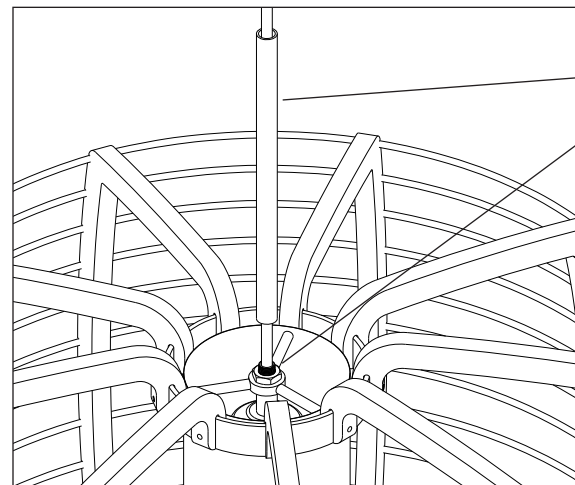
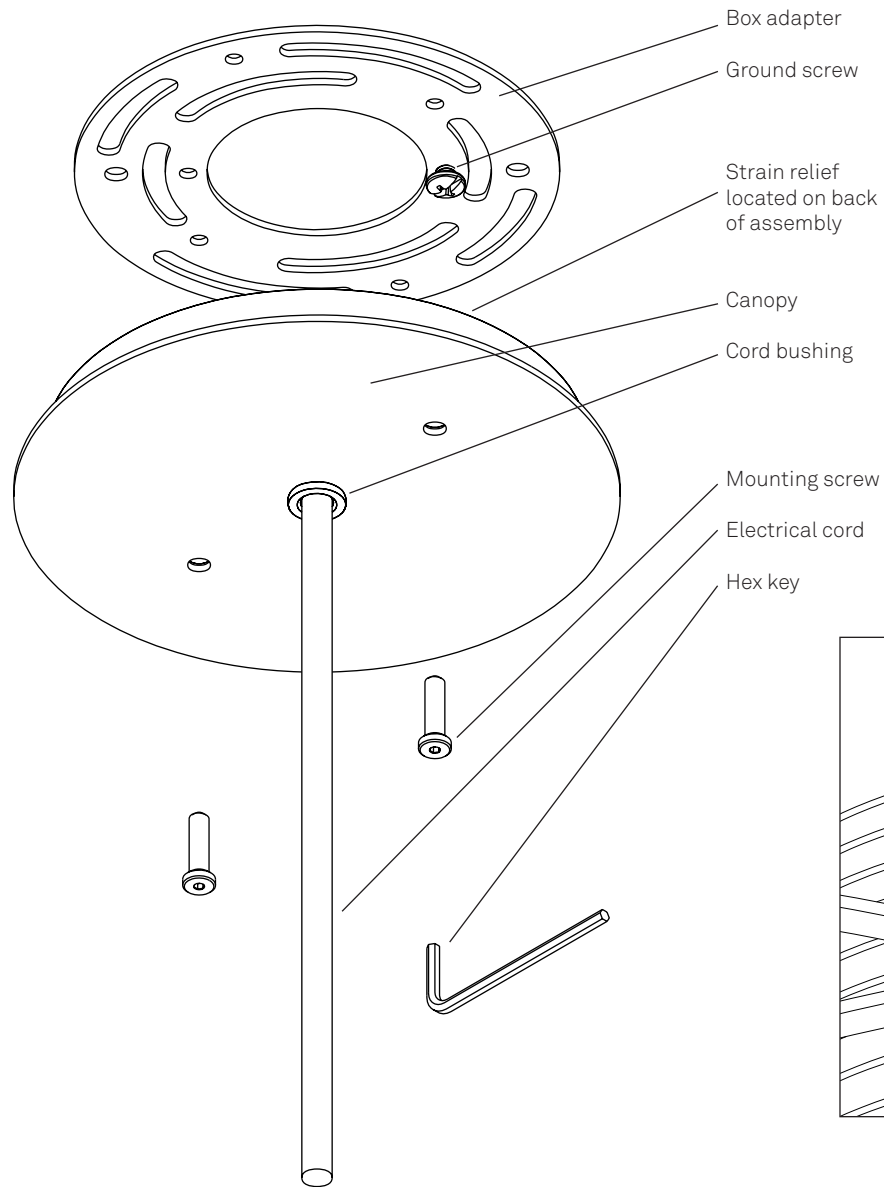


ASSEMBLY INSTRUCTIONS

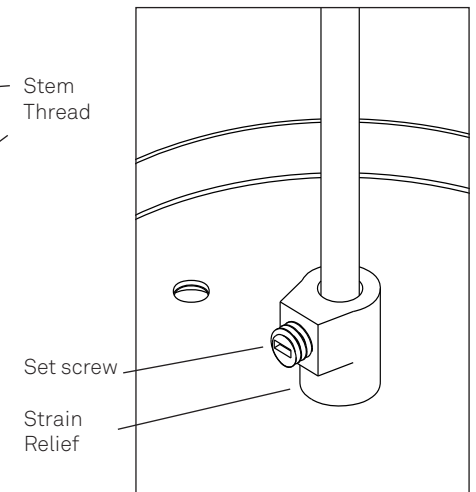
STELLA 3, 5

DANGER - RISK OF SHOCK DISCONNECT POWER PRIOR TO INSTALLATION

1. Attach metal stem to fixture, thread onto fixture
2. Determine drop length. Measure, trim and strip electrical cord to the appropriate length.
3. Attach box adapter to the junction box.
4. Feed cord through cord bushing and strain relief (with set screw backed out for clearance) in canopy assembly.
5. Make electrical connections per wiring diagram.
6. Tighten set screw in the strain relief to secure electrical cord when desired drop length has been achieved.
6. Affix canopy to the junction box/box adapter assembly with the two mounting screws provided.



Metal Sleeve Attachment Detail (STE5 shown)



Strain Relief Detail
(in canopy assembly)

RESOLUTE

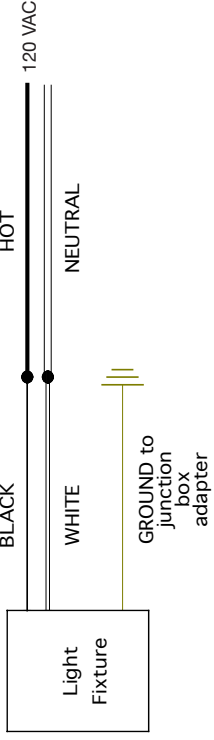
RESOLUTE is a registered trademark of MANIFESTO corporation
4617 Colorado Avenue South, Unit A, Seattle WA 98134
www.resoluteonline.com info@resoluteusa.com



ASSEMBLY INSTRUCTIONS

STELLA 3, 5

TRIAC/ANALOG DIMMING



RESOLUTE

RESOLUTE is a registered trademark of MANIFESTO corporation
4617 Colorado Avenue South, Unit A, Seattle WA 98134
www.resoluteonline.com info@resoluteusa.com

