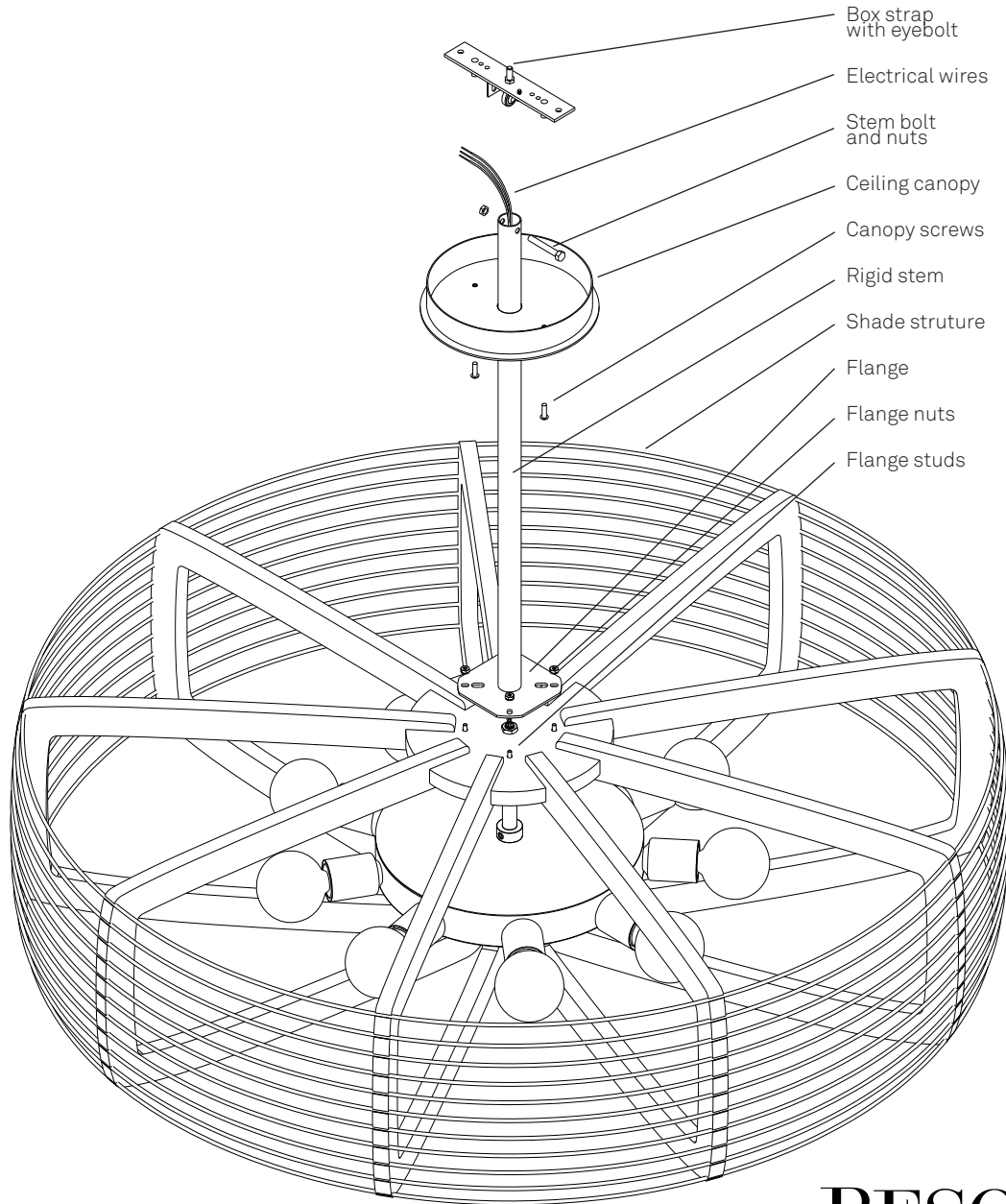


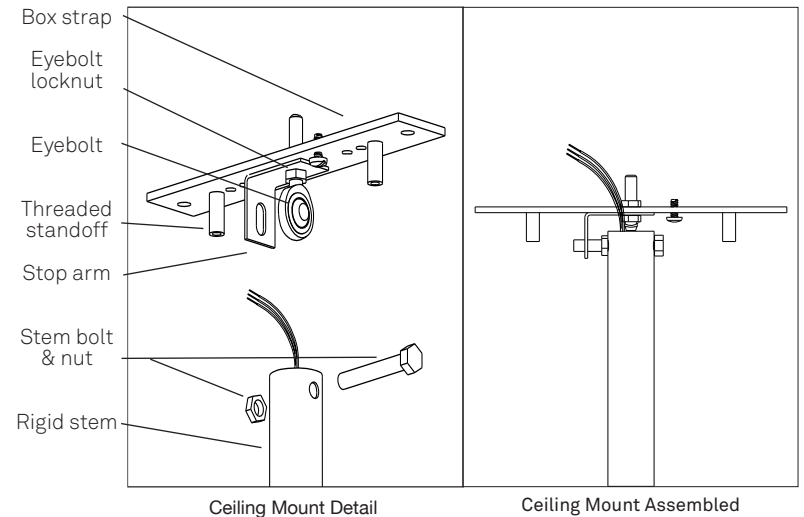
ASSEMBLY INSTRUCTIONS

STELLA 43



DANGER - RISK OF SHOCK DISCONNECT POWER PRIOR TO INSTALLATION

1. Feed electrical wires up through stem then lower stem into place. Align holes of flange with the four flange studs.
2. Secure flange in place with the four flange nuts.
3. Lower the ceiling canopy over stem to rest on the shade structure.
4. Attach box strap directly to the junction box with mounting screws (NIC).
5. Raise the fixture to the box strap. Align stem over eyebolt. Push the stem bolt through the holes in the stem and eyebolt, tighten the stem bolt nut against the tube with the thread end extending through the stop arm.
6. Rotate the fixture to the desired orientation and tighten eyebolt locknut.
7. Make electrical connections per wiring diagram.
8. Raise the ceiling canopy up to the ceiling and secure to threaded standoffs with two canopy screws.



RESOLUTE

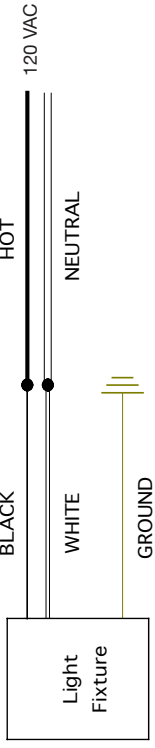
RESOLUTE is a registered trademark of MANIFESTO corporation
4617 Colorado Avenue South, Unit A, Seattle WA 98134
www.resoluteonline.com info@resoluteusa.com



ASSEMBLY INSTRUCTIONS

STELLA 43

TRIAC/ANALOG DIMMING



RESOLUTE

RESOLUTE is a registered trademark of MANIFESTO corporation
4617 Colorado Avenue South, Unit A, Seattle WA 98134
www.resoluteonline.com info@resoluteusa.com

